

# JONES STEPHENS REPAIR PARTS



**FAUCET REPAIR**

**TOILET REPAIR**

**TUB & SHOWER  
REPAIR**

**PRODUCT CATALOG**



# Table of Contents

- Toilet Repair .....4**
- Tank Levers ..... 4
- 2" Flappers..... 6
- 3" Flappers..... 6
- Tank Balls ..... 7
- Flush & Fill Valves..... 7
- Bolts & Gaskets ..... 9
- Mounting Hardware ..... 11
- Accessories ..... 12
  
- Faucet Repair ..... 13**
- Single Handle Cartridges..... 13
- Two & Three Handle Stems ..... 16
- Repair Kits ..... 22
- Faucet Handles ..... 23
- Faucet Seats..... 25
- Gaskets..... 25
- Seals & Grease..... 26
- Aerators & Faucet End Components ..... 26
- Spray Heads & Hoses..... 27
- Faceplates & Trim Kits ..... 27
- Mounting Hardware ..... 28
- Easy Connect Tees ..... 28
  
- Sink & Lavatory Repair ..... 29**
- Stoppers..... 29
- Strainers ..... 30
- Faucet Hole Covers ..... 30
  
- Tub/Shower Repair ..... 31**
- Waste & Overflow Trim ..... 31
- Tub Spouts..... 32
- Shower Accessories ..... 33
- Shower Heads..... 33
  
- Valves & Pumps..... 34**
- Gaskets & Packing ..... 34
- Garden Hose Parts & Accessories ..... 34
- HVAC Parts ..... 34
- Pumps..... 34
  
- Stem/Cartridge Index..... 35**

# JONES STEPHENS | REPAIR PARTS

If it's broke, fix it with our line of repair parts! Complimenting an already robust category of specialties and repair, Jones Stephens offers hundreds of high-quality plumbing repair parts in a carded, retail ready package. The category includes high demand faucet and toilet repair parts, as well as tub and shower parts – all manufactured to fit most brands.

Repair parts identification can sometimes be a tricky task! We've eliminated the guess work by adding several tools throughout this catalog, but our world class customer service team is always available to lend a hand if you need additional assistance. Using our innovative technology we're able to quickly identify the repair part(s) you're looking for. Give us a call today at 800-355-6637 or email us at [parts@jonesstephens.com](mailto:parts@jonesstephens.com) and we'll find the right part for you.



**HIGH QUALITY**



**RELIABLE SERVICE**

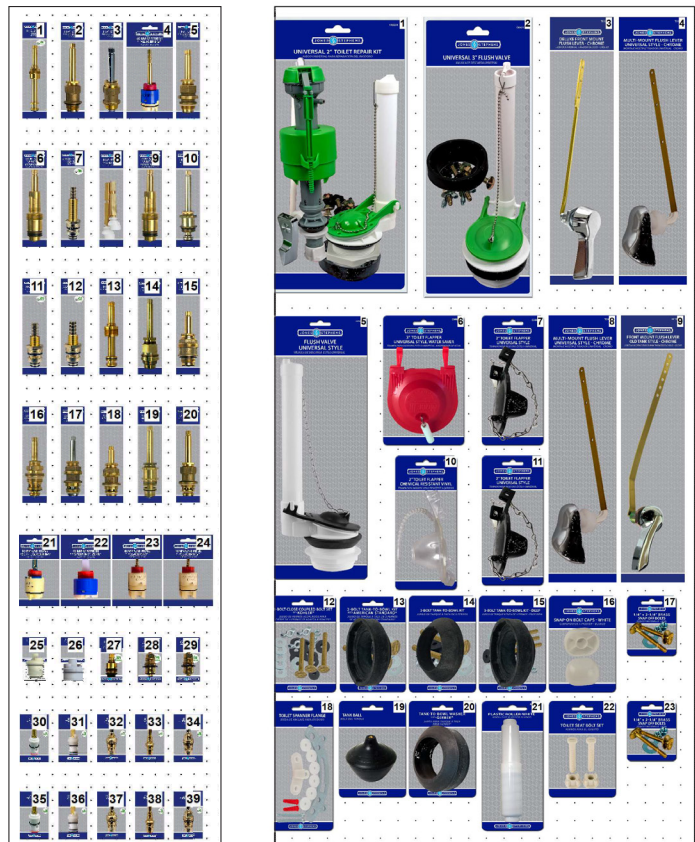


**TRUSTED BRAND**

## MERCHANDISING SOLUTIONS

Pre-Planogrammed Options Include:

- Faucet Repair
- Kitchen Repair
- Toilet Repair
- Tub/Shower Repair
- Plumbing Housewares
- Stems



**Contact your local Jones Stephens sales representative to order today!**

## TANK LEVERS

### TANK TRIP LEVER FITS AMERICAN STANDARD®

- Chrome Plated metal lever
- 5" brass arm with chain clip
- Plastic spud and nut
- Front mount lever
- Fits American Standard® Glenwall™ 2093, Lexington™ 2006/2007 and Yorkville™ 2128/2130 toilet tanks
- Carded



PART NO.	DESCRIPTION	CTN/MSTR
<b>T01023</b>	5" Arm, Chrome Plated, Front Mount	6/48

### TANK TRIP LEVER FITS AMERICAN STANDARD®, 28° ARM

- Chrome Plated Plastic Lever
- 8" plastic arm at 28° angle for corner mount applications
- Plastic spud & Nut
- Cut-Off arm at 4" and 6" lengths
- Angle mount lever
- Fits American Standard® and many other angle-mount toilets
- Carded



PART NO.	DESCRIPTION	CTN/MSTR
<b>T01048</b>	8" 28°, Chrome Plated, Angle Mount	6/48

### TANK TRIP LEVER FITS AMERICAN STANDARD®, 45° ARM

- Chrome Plated plastic lever
- 6" 45° plastic arm with cut-off tab at 4"
- Plastic spud and nut
- Corner mount lever
- Fits American Standard® and others with 45° corner mount
- Carded



PART NO.	DESCRIPTION	CTN/MSTR
<b>T01042L</b>	6" 45° Arm, Chrome Plated, Corner Mount	6/72

### MODERN STYLE TANK TRIP LEVER, FITS AMERICAN STANDARD® AND OTHERS

- 8" flat brass arm can be bent to fit most applications and angles
- Plastic spud and nut
- Fits most front mount and curved-front mount applications
- Modern lever design
- Carded



PART NO.	DESCRIPTION	CTN/MSTR
<b>T01024</b>	8" Arm, Chrome Plated, Front or Curve Mount	6/72
<b>T01402</b>	8" Arm, Brushed Nickel, Front or Curve Mount	6/72
<b>T01401</b>	8" Arm, White, Front or Curve Mount	6/72

### TANK TRIP LEVER FITS BRIGGS®

- White plastic lever
- 8" angled plastic arm
- Plastic spud and nut
- Fits most front mount and curved-front mount applications
- Replaces #B357102 and #BRI4420
- Fits Briggs® toilet tank models: 4130, 4430, 4433, 4434, 4435, 4438, 4440, 4441, 4443, 4443L, 4444 and 4445
- Carded



PART NO.	DESCRIPTION	CTN/MSTR
<b>T01335</b>	8" Arm, White, Front or Curve Mount	1/6

### TANK TRIP LEVER FITS ELJER® SIDE MOUNT

- Chrome Plated metal lever
- 9" brass arm
- Plastic spud and nut
- Side mount lever
- Fits Eljer® toilet tanks
- Carded



PART NO.	DESCRIPTION	CTN/MSTR
<b>T01020L</b>	8" Arm, Chrome Plated, Side Mount	6/48

### TANK TRIP LEVER FITS KOHLER® SIDE MOUNT

- Chrome Plated metal lever
- 8" plastic arm
- Plastic spud and nut
- Side mount lever
- Fits Kohler® Wellworth™ and Waterguard/Lite™ toilet tanks
- Carded



PART NO.	DESCRIPTION	CTN/MSTR
<b>T01016L</b>	8" Arm, Chrome Plated, Side Mount	6/48

### TANK TRIP LEVER FITS MANSFIELD®

- Chrome Plated metal lever
- 10" brass arm
- Plastic spud and nut
- Front mount lever
- Fits Mansfield® and other brands where long arm is necessary
- Carded



PART NO.	DESCRIPTION	CTN/MSTR
<b>T01072L</b>	10" Arm, Chrome Plated, Front Mount	6/48

**TANK TRIP LEVER FITS TOTO®  
SIDE MOUNT**

- 8" straight brass arm
- Plastic spud and nut
- Side mount lever
- Carded



PART NO.	DESCRIPTION	CTN/MSTR
<b>T01027</b>	8" Straight Arm, Chrome Plated, Side Mount, Replaces #THU004	6/48
<b>T01083</b>	8" Straight Arm, Brushed Nickel, Side Mount, Replaces #PLU004	6/48

**TANK TRIP LEVER FITS TOTO®  
SIDE MOUNT**

- 8" offset brass arm
- Plastic spud and nut
- Side mount lever
- Carded



PART NO.	DESCRIPTION	CTN/MSTR
<b>T01028</b>	8" Offset Arm, Chrome Plated, Side Mount, Replaces #THU068	6/48
<b>T018BN</b>	8" Offset Arm, Chrome Plated, Side Mount, Replaces #PLU068	6/48

**TANK TRIP LEVER FITS TOTO®  
SIDE MOUNT**

- 10" bent brass arm
- Plastic spud and nut
- Side mount lever
- Carded



PART NO.	DESCRIPTION	CTN/MSTR
<b>T01026</b>	10" Bent Arm, Chrome Plated, Side Mount, Replaces #THU061	6/48
<b>T01084</b>	10" Bent Arm, Brushed Nickel, Side Mount, Replaces #PLU061	6/48

**8-WAY UNIVERSAL TANK LEVER**

- 8" arm
- Fits all toilet styles, including front, angle or side mount
- Works on left or right side of tank
- Side mount can have horizontal or vertical handle position
- High impact plastic will resist breaking and corrosion
- Contemporary lever design will match virtually any décor
- Easy to install
- No need to bend the arm
- Works with 2" or 3" style flush valves as well as canister style flush mechanisms
- Fits virtually all brands of toilets
- Carded



PART NO.	DESCRIPTION	CTN/MSTR
<b>T01420</b>	8" Arm, Chrome Plated, Front, Angle and Side Mount	6/72
<b>T01421</b>	8" Arm, White, Front, Angle and Side Mount	6/72
<b>T01422</b>	8" Arm, Brushed Nickel, Front, Angle and Side Mount	6/72

**TANK TRIP LEVER WITH PLASTIC CUT-TO-LENGTH ARM**

- 8" plastic arm
- Plastic spud and nut
- Use as 8" arm or use cut-off tabs at 4" or 6" to fit shorter applications
- Fits most front mount applications
- Carded



PART CODE	DESCRIPTION	CTN/MSTR
<b>T01025</b>	8" Cut-to-Length Arm, Chrome Plated, Front Mount	6/48
<b>T01047</b>	8" Cut-to-Length Arm, White, Front Mount	6/72

**TANK TRIP LEVER**

- 8" brass arm
- Metal spud and nut
- Fits most front mount installations
- Arm can be bent to clear tank or other internal components
- Heavy duty construction
- Carded



PART CODE	DESCRIPTION	CTN/MSTR
<b>T01001L</b>	8" Arm, Chrome Plated, Front Mount	6/48
<b>T0107BN</b>	8" Arm, Brushed Nickel, Front Mount	6/48
<b>T0107RB</b>	8" Arm, Oil Rubbed Bronze, Front Mount	6/48

**TANK TRIP LEVER**

- 8" brass arm
- Metal spud and nut
- Fits most front mount installations
- Arm can be bent to clear tank or other internal components
- Heavy duty construction
- Carded



PART CODE	DESCRIPTION	CTN/MSTR
<b>T01022</b>	8" Arm, Chrome Plated, Front Mount	6/48
<b>T0105BN</b>	8" Arm, Brushed Nickel, Front Mount	6/48
<b>T0105RB</b>	8" Arm, Oil Rubbed Bronze, Front Mount	6/48
<b>T0105WB</b>	8" Arm, Matte Black, Front Mount	6/48

**TANK TRIP LEVER**

- 10" flat brass arm can be bent to fit most applications and angles
- Metal spud and nut
- Fits most front mount and curved-front mount applications
- Extra long arm will work in older models with large tanks
- Carded



PART NO.	DESCRIPTION	CTN/MSTR
<b>T01009</b>	10" Arm, Chrome Plated, Front or Curve Mount	1/6
<b>T0109BN</b>	10" Arm, Brushed Nickel, Front or Curve Mount	6/48
<b>T0109RB</b>	10" Arm, Oil Rubbed Bronze, Front or Curve Mount	6/48

## 2" FLAPPERS

### 2" BLACK RUBBER TOILET FLAPPER

- For 2" flush valves
- Replaces Korky® Plus™ style flapper
- Includes stainless steel chain
- Rubber construction
- Less trunnion to use with current style plastic flush valves with ears
- Carded



PART NO.	DESCRIPTION	CTN/MSTR
<b>C04007</b>	2" Black Rubber Toilet Flapper	6/36

### 2" BLUE VINYL TOILET FLAPPER

- For 2" flush valves
- Replaces Coast® style flappers
- Includes stainless steel chain
- Vinyl construction for excellent chemical resistance
- Less trunnion to use with current style plastic flush valves with ears
- C04504 is carded; C04014 is carton quantity only



PART NO.	DESCRIPTION	CTN/MSTR
<b>C04504</b>	2" Blue Vinyl Toilet Flapper, Carded	6/36
<b>C04014</b>	2" Blue Vinyl Toilet Flapper, Carton of 100	100/2800

### 2" RED TWO-WAY TOILET FLAPPER

- For 2" flush valves
- Replaces Korky® Plus™ style flapper
- Includes stainless steel chain
- TPR construction for excellent chemical resistance
- With trunnion to cover overflow tube to be used in place of old style tank balls
- Remove trunnion to use with current style plastic flush valves with ears
- Carded



PART NO.	DESCRIPTION	CTN/MSTR
<b>C04006</b>	2" Red Two-Way Toilet Flapper	6/36

### 2" CLEAR VINYL TOILET FLAPPER

- For 2" flush valves
- Clear
- Includes vinyl lift strap
- Vinyl construction for excellent chemical resistance
- Less trunnion to use with current style plastic flush valves with ears
- Carded



PART NO.	DESCRIPTION	CTN/MSTR
<b>FT02080</b>	2" Clear Vinyl Toilet Flapper	3/72

### 2" RED TWO-WAY ADJUSTABLE TOILET FLAPPER

- For 2" flush valves
- Water saver adjustments - turn lower bulb for different flush rates
- Includes stainless steel chain with guard to prevent chain from catching under the flapper
- TPR construction for excellent chemical resistance
- With trunnion to go over overflow tube to be used in place of old style tank balls
- Remove trunnion to use with current style plastic flush valves with ears
- Carded



PART NO.	DESCRIPTION	CTN/MSTR
<b>C04050</b>	2" Red Two-Way Adjustable Toilet Flapper	1/12

## 3" FLAPPERS

### 3" FLAPPER FITS AMERICAN STANDARD CADET™ TOILETS

- Fits 3" Cadet™ 3 toilets
- Replaces American Standard™ #738920-0070A
- Hard plastic with silicone rubber seal disc
- Stainless Steel beaded lift chain with grommets
- Compatible with American Standard™ model numbers 4027.016, 4021.016 and 4019.016 using the white flush valve
- Compatible with American Standard Cadet™ 3 one-piece toilets models 2403012, 2403500, 2403800 and 2403850
- Carded



PART NO.	DESCRIPTION	CTN/MSTR
<b>C04003</b>	3" Flapper fits American Standard Cadet™ Toilets	6/24

### 3" FLAPPER FITS ALL TOTO® TOILETS

- Replaces all 3" Toto® flappers
- Replaces THU138S, THU175S, THU331S, THU140S, THU299S, THU253S, THU277S, THU347S, THU275S, THU332S, THU369S & THU499S
- Hard plastic frame with TPR body
- Stainless steel chain and grommet
- Resists chlorine and other chemicals commonly found in water
- Complete crossover and installation instructions available on packaging
- Carded



PART NO.	DESCRIPTION	CTN/MSTR
<b>C04009</b>	3" Universal Flapper Fits Toto® Toilets	1/10

### 3" RED TOILET FLAPPER FITS TOTO® G-MAX®

- For 3" flush valves
- Fits Toto® G-Max® style toilets
- Includes stainless steel chain
- Replaces Toto® #THU140S
- TPR construction for excellent chemical resistance
- Carded



PART NO.	DESCRIPTION	CTN/MSTR
<b>C04001</b>	3" Red Toilet Flapper fits TOTO® G-Max®	6/36

### 3" BLUE TOILET FLAPPER FITS TOTO® POWER GRAVITY®

- For 3" flush valves
- Fits Toto® Power Gravity® style toilets
- Replaces Toto® #THU175S
- Includes stainless steel chain
- TPR construction for excellent chemical resistance
- Carded



PART NO.	DESCRIPTION	CTN/MSTR
<b>C04500</b>	3" Blue Toilet Flapper fits TOTO® Power Gravity®	6/36

### 3" RED ADJUSTABLE TOILET FLAPPER

- For 3" flush valves
- Water saver adjustments - turn lower bulb for different flush rates
- Includes stainless steel chain with guard to prevent chain from catching under the flapper
- TPR construction for excellent chemical resistance
- Less trunnion to use with current style plastic flush valves with ears
- Carded



PART NO.	DESCRIPTION	CTN/MSTR
<b>C04051</b>	3" Red Adjustable Toilet Flapper	1/6

## TANK BALLS

### SCREW-ON OR SNAP-ON SEAT DISC FITS AMERICAN STANDARD®

- Fits all styles of American Standard® actuation units
- Use with supplied spud for screw-on or without the spud for snap-on applications
- Treated rubber to withstand chlorine commonly found in water
- 3" diameter
- Replaces American Standard® #047250-0070A & 047089-0070A
- Carded



PART NO.	DESCRIPTION	CTN/MSTR
<b>C04625A</b>	Screw-On or Snap-On Seat Disc fits American Standard®	6/72

### FIT-ALL RUBBER TANK BALL

- Universal style
- Fits most popular lift-rod style flush valves
- Brass threaded socket to receive lower lift rod
- Tapered pattern for positive seal on most brands of toilets
- Rubber
- Carded



PART NO.	DESCRIPTION	CTN/MSTR
<b>C04022</b>	Fit-All Rubber Tank Ball	1/12

## FLUSH & FILL VALVES

### COMPLETE TOILET REPAIR KIT FOR TOILETS WITH 2" FLUSH VALVE

- For 2" flush valves
- Quiet integral float style fill valve with adjustable water height control
- Complete kit includes flush valve, flapper, chain, locknut, washer, sponge rubber tank-to-bowl gasket and three sets of brass tank-to-bowl bolts
- 5/16" x 3" bolt sets include all washers, nuts and gaskets
- 8" overflow tube
- Carded



PART NO.	DESCRIPTION	CTN/MSTR
<b>C05250</b>	Complete Toilet Repair Kit for Toilets with 2" Flush Valve	3/12

## 2" PLASTIC FLUSH VALVE AND RUBBER FLAPPER

- Fits most conventional two-piece toilets with 2 in flush valves
- Made of non-corrosive plastic
- Includes rubber flapper with stainless steel chain
- Will replace brass flush valves
- 8" overflow tube
- Douglas style
- With washer and locknut
- Carded



PART NO.	DESCRIPTION	CTN/MSTR
<b>C05070</b>	2" Plastic Flush Valve and Rubber Flapper	6/72

## 3" PLASTIC FLUSH VALVE OVERFLOW TUBE, FLAPPER, GASKET, AND TANK TO BOWL BOLT SET

- Fits all conventional 2-piece toilets with 3" flush valves
- Includes flush valve, flapper, stainless steel chain, locknut, washer, sponge rubber tank-to-bowl gasket and three sets of brass tank-to-bowl bolts
- Overflow tube adjusts from 7" to 10-3/8"
- Water-saving hard plastic 3" flapper with silicone seal adjusts to match flow rates of most toilets
- 5/16" x 3" bolt sets include all washers, nuts and gaskets
- Includes 3" sponge rubber tank-to-bowl gasket
- Non-corrosive, chemical resistant, hard plastic construction



PART NO.	DESCRIPTION	CTN/MSTR
<b>C05073A</b>	3" Plastic Flush Valve	3/12

## 2" FLUSH VALVE FITS KOHLER® LITE STYLE TWO-PIECE TOILETS

- Fits 2" Kohler® Lite style two-piece toilets
- Replaces #84665, #85159, #87373, #1003068, #1004808, #1007489, #1022551 and #1042831
- Includes 2" flapper that replaces #GP85160
- Flapper includes float on the beaded chain that can be adjusted to use less water during flush cycle
- 8" overflow tube
- With washer and locknut
- Carded



PART NO.	DESCRIPTION	CTN/MSTR
<b>C05075</b>	2" Flush Valve fits Kohler® Lite Style Two-Piece Toilets	1/6

## FLUSH VALVE FITS MANSFIELD® 211 CANNISTER STYLE

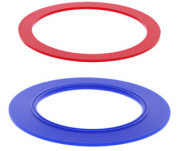
- Replaces Mansfield® #211
- Will also replace an older #210 style flush valve
- 1.6 GPF (gallons per flush)
- Complete with seal, top stop, spud gasket and spud locknut
- Loop for flush lever to pass through the top or lower loop for lift chain
- Works with any 2" toilet
- Retrofit flapper style flush valve
- Carded



PART NO.	DESCRIPTION	CTN/MSTR
<b>T02068</b>	Flush Valve fits Mansfield® 211 Canister Style	6/24

## FLUSH VALVE GASKETS FIT AMERICAN STANDARD® CHAMPION™ CANNISTER STYLE

- Larger washer replaces American Standard® Champion 4™ and Eljer® Titan 4™ flush valve seals
- Smaller washer replaces American Standard® Champion 3™ flush valve seal
- Treated rubber to withstand chlorine commonly found in water
- Carded



PART NO.	DESCRIPTION	CTN/MSTR
<b>C05088</b>	Flush Valve Gaskets fit American Standard® Champion™ Cannister Style	6/144

## FLUSH VALVE GASKET FITS KOHLER® CANNISTER STYLE

- Fits either yellow or red Kohler® AquaPiston™, Class 5™ and Class 6™ style canister flush valves
- Replaces Kohler® #GP1059291
- Treated rubber to withstand chlorine commonly found in water
- Original part may be either red or yellow
- Carded



PART NO.	DESCRIPTION	CTN/MSTR
<b>C05089</b>	Flush Valve Gasket fits Kohler® Cannister Style	6/144

## FLUSH VALVE SEAL FITS MANSFIELD® 210/211

- Flush Valve Seal for Mansfield lift up flush valves #210 and #212
- Original Mansfield parts
- Replaces Mansfield® #630-0031
- TPR material for excellent chemical resistance
- Snaps into groove on bottom of flush valve
- Carded



PART NO.	DESCRIPTION	CTN/MSTR
<b>T02065L</b>	Flush Valve Seal fits Mansfield® 210/211	6/72



**ANTI-SIPHON BALLCOCK ASSEMBLY FITS KOHLER® RIALTO® ONE-PIECE TOILETS**

- Ballcock/fill-valve
- Fits Kohler® Rialto® one-piece toilets
- Complete with fill valve, 8" float rod, bowl refill assembly, vinyl refill tube, shank washer, locknut, slip nut, cone washer and friction ring
- Adjustment screw to raise or lower the float to regulate how much water fills the tank
- Plastic for trouble-free performance in a wet environment
- Carded



PART NO.	DESCRIPTION	CTN/MSTR
<b>T02080</b>	Anti-Siphon Ballcock Assembly fits Kohler® Rialto® One-Piece Toilets	1/6

**ANTI-SIPHON BALLCOCK ASSEMBLY FITS KOHLER® ONE-PIECE TOILETS**

- Ballcock/fill-valve
- 1B1-X fits Kohler®, American Standard®, Briggs®, Crane®, Eljer®, Norris® and Universal Rundle® one-piece toilets
- Complete with fill valve, 8" float rod, bowl refill outlet, vinyl refill tube, shank washer, locknut, slip nut, cone washer and friction ring
- Adjustment screw to raise or lower the float to regulate how much water fills the tank
- Plastic for trouble-free performance in a wet environment
- Carded



PART NO.	DESCRIPTION	CTN/MSTR
<b>T02081</b>	Anti-Siphon Ballcock Assembly fits Kohler® One-Piece Toilets	1/6

**BOLTS & GASKETS**

**CLOSET SPUD WASHER**

- Fits 1-1/4" closet spuds
- Seals flush valve tailpiece to closet spud for leak-free performance
- Black rubber
- 1-1/2" ID x 2-7/16" OD x 1/2" high
- Top-hat (flanged) shape
- Carded



PART NO.	DESCRIPTION	CTN/MSTR
<b>C27301</b>	1-1/4" Closet Spud Washer	6/72
<b>C27302</b>	1-1/2" Closet Spud Washer	6/72

**TANK TO BOWL GASKET, UNIVERSAL**

- Universal to fit most 2" toilet tank to bowl installations
- 3.375" OD x 2.25" ID x .625" Thick beveled sponge rubber
- Repair and prevent leaks between the toilet tank and the bowl
- Carded



PART NO.	DESCRIPTION	CTN/MSTR
<b>C03300L</b>	2-1/4" ID x 3-3/8" OD x 11/16" Thick Tank to Bowl Gasket	6/72

**TANK TO BOWL GASKET FITS 2" AMERICAN STANDARD®**

- Fits most American Standard®, Crane® and Kohler® toilets with 2" flush valve
- Recessed sponge rubber tank-to-bowl gasket
- 2-1/8" ID x 3-1/2" OD x 1-1/4" thick
- Seals toilet tank to bowl
- Carded



PART NO.	DESCRIPTION	CTN/MSTR
<b>C03303L</b>	2-1/8" ID x 3-1/2" OD x 1-1/4" Thick Tank to Bowl Gasket fits American Standard®	6/48

**TANK TO BOWL SPONGE GASKET FITS 3" AMERICAN STANDARD®**

- Replaces tank to bowl gasket on American Standard®, Glacier Bay™, and other 3" Flush Valves
- 4.75" OD x 3.25" ID x 1.188" Thick sponge rubber with .75" recess.
- Recessed to fit over locknut of flush valve
- Carded



PART NO.	DESCRIPTION	CTN/MSTR
<b>C03898</b>	3" Tank to Bowl Sponge Gasket fits American Standard®	6/72

**TANK TO BOWL GASKET FITS GERBER®**

- Fits most Gerber® toilets with 2" flush valve
- Solid sponge rubber tank-to-bowl gasket
- 2-1/8" ID x 3-1/4" OD x 1-3/16" thick
- Seals toilet tank to bowl
- Carded



PART NO.	DESCRIPTION	CTN/MSTR
<b>C03305L</b>	2-1/8" ID x 3-1/4" OD x 1-3/16" Thick Tank to Bowl Gasket fits Gerber®	6/72

## TANK TO BOWL SPONGE GASKET, 3" UNIVERSAL

- Universal tank to bowl gasket for 3" flush valves
- 4.438" OD x 3.0" ID x 1.188" Thick sponge rubber with .5" recess
- Recessed to fit over locknut of flush valve
- Carded



PART NO.	DESCRIPTION	CTN/MSTR
<b>C03277</b>	3" Tank to Bowl Sponge Gasket	6/48

## TANK TO BOWL WASHER KIT FITS KOHLER®

- Replaces Kohler® GP52050 gaskets
- Complete set for a 3-bolt installation
- Use with C03280SS or C03899 3-pc tank to bowl bolt sets
- Carded



PART NO.	DESCRIPTION	CTN/MSTR
<b>C03281L</b>	Tank to Bowl Washer Kit fits Kohler® 3-Bolt Toilets	6/72

## TANK TO BOWL BOLT KIT

- Fits most toilets with 2" flush valve
- Sponge rubber tank-to-bowl (close coupled) gasket
- Gasket is 1/2" thick to fit most applications
- Includes two solid brass close-coupled bolt sets
- Includes washers, plated steel screws and plated steel nuts for complete assembly
- Carded



PART NO.	DESCRIPTION	CTN/MSTR
<b>C03201</b>	5/16" x 3" Tank to Bowl Bolt Kit with Fit-All Gasket and Two Bolts	6/48

## TANK TO BOWL BOLT KIT FITS AMERICAN STANDARD®

- Fits most American Standard® and Crane® style toilets with 2" flush valve
- Recessed sponge rubber tank-to-bowl (close coupled) gasket
- Includes solid brass close-coupled bolt sets
- Includes washers, plated steel screws and plated steel nuts for complete assembly
- Carded



PART NO.	DESCRIPTION	CTN/MSTR
<b>C03220</b>	5/16" x 3" Tank to Bowl Bolt Kit fits American Standard® with Two Bolts	6/48
<b>C03273</b>	5/16" x 3" Tank to Bowl Bolt Kit fits American Standard® with Three Bolts	6/48

## SNAP-OFF SOLID BRASS CLOSET BOLTS

- Used to attach toilet to closet flange in the floor
- 1/4" x 2-1/4" solid brass bolts
- Nickel plated steel nuts and washers
- Captive top washer for easy installation
- Snap-off slot 1/2" from top of bolt to remove excess bolt for better fit of the cap
- Pair
- Carded



PART NO.	DESCRIPTION	CTN/MSTR
<b>C02045L</b>	1/4" x 2-1/4" Snap-Off Solid Brass Closet Bolts	6/144

## EXTRA-HEAVY TANK TO BOWL SET

- For attaching a toilet tank to the toilet bowl
- Includes 3 complete sets for 2 and 3-bolt installations
- Heavy 5/16" x 3" solid brass bolts with 7/8" extra-wide slotted head
- Cloth inserted rubber washers for strength and durability
- Stainless Steel round washers for corrosion resistance
- Solid brass nuts
- Carded



PART NO.	DESCRIPTION	CTN/MSTR
<b>C03899</b>	Extra-Heavy Solid Brass Tank to Bowl 3-Bolt Set	6/72

## PREMIUM SNAP-OFF STYLE STAINLESS STEEL CLOSET BOLTS

- For attaching toilet to floor flange
- Premium stainless steel bolts for superior strength and corrosion resistance
- 1/4" x 2-1/4" stainless steel break-off bolts with retainers to hold bolts in place during toilet installation
- Premium stainless steel washers and hex nuts
- Pair
- Carded



PART NO.	DESCRIPTION	CTN/MSTR
<b>C02421SS</b>	1/4" x 2-1/4" Snap-Off Style Closet Bolts with Retainers	12/144
<b>C02990SS</b>	1/4" x 3-1/2" Snap-Off Style Closet Bolts with Retainers	12/72
<b>C02423SS</b>	5/16" x 2-1/4" Snap-Off Style Closet Bolts with Retainers	12/144
<b>C02424SS</b>	5/16" x 3-1/2" Snap-Off Style Closet Bolts with Retainers	12/72

**PREMIUM SNAP-OFF STYLE STAINLESS STEEL CLOSET BOLTS AND SCREW SET**

- For attaching toilet to floor flange or securing toilet to wood floor
- Premium stainless steel bolts and screws for superior strength and corrosion resistance
- 1/4" x 2-1/4" stainless steel break-off bolts with retainers to hold bolts in place during toilet installation
- 1/4" x 2-1/2" Stainless steel closet screws with stainless steel dome nut
- Premium Stainless steel washers and hex nuts
- Includes pair of screws and pair of bolts
- Carded



PART NO.	DESCRIPTION	CTN/MSTR
<b>C02313SS</b>	1/4" x 2-1/4" Stainless Steel Snap-Off Style Closet Bolts with Retainers and 1/4" x 2-1/2" Closet Screws	12/72

**PREMIUM STAINLESS STEEL TANK TO BOWL BOLT SET**

- For attaching a toilet tank to the toilet bowl
- Includes 3 complete sets for 2 and 3-bolt installations
- Heavy 5/16" x 3" solid premium stainless steel bolts with slotted head
- Rubber washers, premium stainless steel round washers and hex nuts
- Carded



PART NO.	DESCRIPTION	CTN/MSTR
<b>C03280SS</b>	5/16" x 3" Premium Stainless Steel Tank to Bowl Bolt Set, Pack of 3	6/48

**TOILET BOLT CAPS WITH BRASS BOLTS**

- For attaching toilet to floor flange and covering the bolts after installation
- 1/4" x 2-1/4" brass break-off bolts with retainers to hold bolts in place during toilet installation
- Plastic bushing goes over the bolt and attaches to the cap for a positive hold
- Caps screw into bolts for positive lock-down
- No Putty or caulk needed
- White caps
- Carded



PART NO.	DESCRIPTION	CTN/MSTR
<b>C02151</b>	White Toilet Bolt Caps with 1/4" x 2-1/4" Brass Break-Off Bolts	6/144

**OVAL CLOSET BOLT CAPS**

- White plastic
- Snap-on type
- Oval shape
- Covers oval shaped washers on closet bolts
- Hi-Impact plastic will avoid breaking or cracking
- Carded



PART NO.	DESCRIPTION	CTN/MSTR
<b>C02100L</b>	White Oval Closet Bolt Caps, Pair	6/72

**REPLACEMENT HARDWARE TOP MOUNT TOILET SEAT HINGES**

- White plastic nuts and bolts
- Fits most top mount toilet seats
- Slotted bolt top for easy installation
- Deep nut with ridges for easy installation
- 7/16" x 2-1/2" overall length
- Carded



PART NO.	DESCRIPTION	CTN/MSTR
<b>C200PHB</b>	Replacement Hardware Top Mount Toilet Seat Hinges	6/48

**MOUNTING HARDWARE**

**CLOSET SPANNER FLANGE KIT**

- Repair broken closet flanges without replacing the entire flange
- Heavy nickel plated steel construction
- With slots for closet bolts or screws
- With anchors, washers and screws
- Use anchors and screws to attach to floor or sub-floor
- Permanent repair that will hold toilet tightly
- Carded



PART NO.	DESCRIPTION	CTN/MSTR
<b>C87200</b>	Closet Spanner Flange Kit	6/36

## URINAL FLANGE REPAIR KIT

- Used to fix broken urinal flanges at the wall without removing old flange
- No need to go back into the wall and replace plumbing pipes
- Includes screws, anchors and spacers to add additional support
- Comes with foam rubber gasket and adhesive to re-mount urinal for leak-free performance
- Complete instructions included
- Bagged



PART NO.	DESCRIPTION	CTN/MSTR
<b>C88000</b>	Urinal Flange Repair Kit	1/12

## BRASS BALLCOCK COUPLING NUT

- To attach riser or water line to toilet fill valve (ballcock)
- 1/2" center hole for 1/2" or 3/8" OD risers
- Solid brass nut for long life and corrosion resistance
- Includes rubber cone washer for positive seal and leak proof installation
- Brass friction ring to prevent washer from warping when tightening nut
- Carded



PART NO.	DESCRIPTION	CTN/MSTR
<b>C05083</b>	7/8" x 1/2" Brass Ballcock Coupling Nut	6/144

## CARRIER NUTS AND WASHER SET

- Fits most brands of wall-mounted toilet and urinal carriers
- Aluminum for strength and durability
- 3/4" height and 1-3/4" flange diameter
- White fiber washers - 3/4" ID x 1-3/4" OD
- Includes 4 nuts and washers
- Bagged



PART NO.	DESCRIPTION	CTN/MSTR
<b>C56100</b>	Carrier Nuts and Washer Set	25/100

## ACCESSORIES

### WHITE PLASTIC FIT-ALL TOILET TISSUE ROLLER

- White
- High-impact plastic for long life
- Spring loaded for easy paper changing
- 5/8" ends to fit most posts and most toilet tissue holders
- Easy to install
- Carded



PART NO.	DESCRIPTION	CTN/MSTR
<b>B10196</b>	White Plastic Fit-All Toilet Tissue Roller	6/72

### FIT-ALL URINAL SCREEN WITH DEODORIZER

- Prevents clogging of urinal drain
- White plastic
- Fragrance bar masks odors
- Large size fits most urinals
- 7" long and 7" wide
- 1-1/2" tall non-replaceable fragrance block
- Bagged with header card



PART NO.	DESCRIPTION	CTN/MSTR
<b>S95250</b>	Fit-All Urinal Screen with Deodorizer	6/36

## SINGLE HANDLE CARTRIDGES

### PRESSURE BALANCED TUB/SHOWER CARTRIDGE FITS DELTA® MONITOR®

- Fits Delta® 1300 and 1400 Monitor™ and Pressure Balance tub and shower faucets
- Replaces #RP19804
- For single handle faucets
- Pressure balanced to maintain constant pressure between the hot and cold sides
- Temperature limit stop that can be set to avoid scalding
- Complete with bottom seals and center washer for leak free installation
- Plastic body with blue bottom; brass stem
- 4" overall length
- Carded



PART NO.	DESCRIPTION	CTN/MSTR
<b>C25447</b>	Pressure Balanced Tub/Shower Cartridge fits Delta® Monitor®	4/24
<b>C25463</b>	Pressure Balanced Tub/Shower Cartridge fits Delta® Monitor®, Pack of 3	2/12

### PRESSURE BALANCED TUB/SHOWER CARTRIDGE FITS DELTA® MULTICHOICE®

- Fits Delta® 13 and 14 series MultiChoice™ tub and shower faucets
- Replaces #RP46074
- For single handle faucets
- Pressure balanced to maintain constant pressure between the hot and cold sides
- Temperature limit stop that can be set to avoid scalding
- Complete with bottom seals and center washer for leak free installation
- Plastic body with white bottom; brass stem
- 4-3/8" overall length
- Carded



PART NO.	DESCRIPTION	CTN/MSTR
<b>C25451</b>	Pressure Balanced Tub/Shower Cartridge fits Delta® Multichoice®	4/24
<b>C25464</b>	Pressure Balanced Tub/Shower Cartridge fits Delta® Multichoice®, Pack of 3	2/12

### PRESSURE BALANCED TUB/SHOWER CARTRIDGE FITS DELTA®

- Fits Delta® 17 series MultiChoice™ tub and shower faucets
- Replaces #RP46463
- For single handle faucets
- Pressure balanced to maintain constant pressure between the hot and cold sides
- Temperature limit stop that can be set to avoid scalding
- Complete with seat assembly
- Plastic body with stainless steel bottom plate; brass stem
- 3-1/4" overall length; 1-9/16" bottom diameter
- Carded



PART NO.	DESCRIPTION	CTN/MSTR
<b>C25449</b>	Pressure Balanced Tub/Shower Cartridge fits Delta	4/24

### CERAMIC CARTRIDGE FITS DELTA®

- Fits Delta® lavatory and kitchen faucets
- Replaces #RP50587
- For single handle faucets with set screws
- Hi-Impact plastic body construction
- Temperature limit stop that can be set to avoid scalding
- Ceramic Diamond-Seal® control mechanism for long lasting leak-free performance
- 2-11/16" overall length; 1-7/16" bottom diameter
- Carded



PART NO.	DESCRIPTION	CTN/MSTR
<b>C25450</b>	Ceramic Cartridge fits Delta®	4/24

### TUB/SHOWER CARTRIDGE FITS DELTA® MONITOR® AND SCALD-GUARD®

- Fits Delta® 1600 Monitor® and Scald-Guard® series tub and shower faucets
- Replaces #RP1991
- Celcon body; brass stem
- Temperature limit stop that can be set to avoid scalding
- Complete with two seats
- Stainless steel bottom plate
- Rectangular shaped broach
- 2" overall length
- Carded



PART NO.	DESCRIPTION	CTN/MSTR
<b>C25456</b>	Tub/Shower Cartridge fits Delta® Monitor® and Scald-Guard®	4/48

### STAINLESS STEEL BALL FITS DELTA®/ DELEX® AND PEERLESS® 70 STYLE FAUCETS

- Fits Delta®/Delex® and Peerless® 70 ball style faucets
- Replaces #RP70
- Stainless steel construction
- Can be used with lever handles that use set screw style handles
- Flat area on stem for positive seat of handle set screw
- Use together with heart-shaped cam
- 1-1/2" ball and 2" stem
- Also fits most imported ball-style faucets
- Carded



PART NO.	DESCRIPTION	CTN/MSTR
<b>C25433</b>	Stainless Steel Ball fits Delta®/Delex® and Peerless® 70 Style Faucets	4/72

## STAINLESS STEEL BALL FITS DELTA®/ DELEX® AND PEERLESS® 212 STYLE FAUCETS

- Fits Delta®/Delex® and Peerless® 212 ball style faucets
- Replaces #RP212
- Stainless steel construction
- Can be used with knob handles that use screw-in handles with index buttons
- Diamond shaped stem with female thread for handle screw
- Use together with slotted cam
- Also fits most imported ball-style faucets
- Carded



PART NO.	DESCRIPTION	CTN/MSTR
<b>C25434</b>	Stainless Steel Ball fits Delta®/Delex® and Peerless® 212 Style Faucets	4/72

## SEATS & SPRINGS SET FITS DELTA®/ DELEX® AND PEERLESS®

- Fits Delta®/Delex® and Peerless® kitchen, lavatory, and tub and shower faucets
- Replaces #RP4993
- Includes seats and springs to fit old and new styles
- Includes: 2 New Style (Short) Seats and 2 New Style (Conical) Springs
- Includes: 2 Old Style (Long) Seats and 2 Old Style (Long) Springs
- TPR Seats
- Stainless Steel springs
- Also fits most imported ball-style faucets
- Carded



PART NO.	DESCRIPTION	CTN/MSTR
<b>C25431</b>	Seats & Springs Set fits Delta®/Delex® and Peerless® Faucets, 2 of Each	6/144
<b>C25459</b>	Seats & Springs Set fits Delta®/Delex® and Peerless® New Style Faucets, 25 of Each	4/48

## DIVERTER FITS DELTA®/DELEX® AND PEERLESS®

- Fits Delta®/Delex® and Peerless® tub and shower faucets
- Replaces #RP5649
- Chrome plated finish
- Pull up to send water to shower head, push down to send water to tub
- Solid brass
- O-ring seal and TPR flapper for positive seal
- Carded



PART NO.	DESCRIPTION	CTN/MSTR
<b>C25430</b>	Chrome Plated Diverter fits Delta®/Delex® and Peerless® Tub/Shower Faucets	4/48

## PRESSURE BALANCED TUB/SHOWER CARTRIDGE FITS GLACIER BAY® AND ZURN®

- Fits Zurn® and some Glacier Bay® tub and shower faucets
- Replaces Zurn® Z7300 Series
- For single handle faucets
- Plastic washerless body with ceramic controls, handle adapter with set-screw
- Pressure balanced to maintain constant pressure between the hot and cold sides
- Temperature limit stop that can be set to avoid scalding
- 3-7/16" overall length
- Carded



PART NO.	DESCRIPTION	CTN/MSTR
<b>C07650</b>	40MM (1-9/16") Pressure Balanced Tub/Shower Cartridge fits Glacier Bay® and Zurn®	6/144

## PRESSURE BALANCED TUB/SHOWER CARTRIDGE FITS GLACIER BAY®

- Fits Glacier Bay® tub and shower faucets
- Also fits some imports
- For single handle faucets
- Plastic washerless body with ceramic controls
- Pressure balanced to maintain constant pressure between the hot and cold sides
- Temperature limit stop that can be set to avoid scalding
- 3-7/16" overall length
- Carded



PART NO.	DESCRIPTION	CTN/MSTR
<b>C07655</b>	40MM (1-9/16") Pressure Balanced Tub/Shower Cartridge fits Glacier Bay®	6/48

## PRESSURE BALANCED TUB/SHOWER CARTRIDGE FITS GLACIER BAY®

- Fits Glacier Bay® tub and shower faucets
- Cut-off points on broach to cut-down stem for perfect handle clearance
- For single handle faucets
- Plastic washerless body with ceramic controls
- Pressure balanced to maintain constant pressure between the hot and cold sides
- Temperature limit stop that can be set to avoid scalding
- 5-1/4" overall length
- Carded



PART NO.	DESCRIPTION	CTN/MSTR
<b>C07656</b>	40MM (1-9/16") Pressure Balanced Tub/Shower Cartridge fits Glacier Bay®	6/48

## TUB/SHOWER CARTRIDGE FITS MOEN® POSI-TEMP®

- Fits Moen® Posi-Temp® tub and shower faucets
- Replaces #1222
- For single handle faucets
- Plastic with lead free brass stem
- 4-1/8" overall length
- Includes installation tool and waterproof, non-toxic stem grease
- Carded



PART NO.	DESCRIPTION	CTN/MSTR
<b>C1777TS</b>	Tub/Shower Cartridge fits Moen® Posi-Temp®	6/72
<b>C1777TSX5</b>	Tub/Shower Cartridge fits Moen® Posi-Temp®, Pack of 5	4/36

## BRASS CARTRIDGE FITS MOEN® MAGNUM

- Fits Moen® Chateau and Magnum faucets
- Replaces #1200
- For single handle faucets
- Solid lead free brass
- 4-3/16" overall length
- Includes installation tool & brass lock clip
- Carded



PART NO.	DESCRIPTION	CTN/MSTR
<b>C1775TS</b>	Brass Cartridge fits Moen® Magnum	6/72

## CARTRIDGE FITS MOEN® MAGNUM

- Fits Moen® Chateau and Magnum faucets
- Replaces #1225
- For single handle faucets
- Plastic with lead free brass stem
- 4-3/16" overall length
- Includes installation tool and lock clip
- Carded



PART NO.	DESCRIPTION	CTN/MSTR
<b>C1776TS</b>	Cartridge fits Moen® Magnum	6/72
<b>C1776TSX5</b>	Cartridge fits Moen® Magnum, Pack of 5	4/36

## BALANCING SPOOL FITS MOEN® MOENTROL®

- Fits Moen® Moentrol™ tub and shower faucets
- Replaces #1423
- For single handle faucets
- Solid brass
- Carded



PART NO.	DESCRIPTION	CTN/MSTR
<b>C25481</b>	Balancing Spool fits Moen® Moentrol® Tub/Shower Faucets	3/48

## CERAMIC CARTRIDGE FITS MOEN® KITCHEN FAUCETS

- Fits Moen® Level 7175 & 7175CSL kitchen faucets
- Replaces #4000
- For single handle faucets
- Plastic body with ceramic discs
- 2-3/8" overall height, 1-5/16" diameter
- With bottom rubber seal
- Carded



PART NO.	DESCRIPTION	CTN/MSTR
<b>C25476</b>	Ceramic Cartridge fits Moen® Kitchen Faucets	3/36

## PUSH-BUTTON DIVERTER ASSEMBLY FITS MOEN® CHATEAU AND LEGEND

- Fits Moen® Magnum® Chateau and Legend tub and shower faucets
- Replaces #1198
- For single handle faucets
- Solid brass
- Chrome plated finish on exposed parts
- 3" overall length
- Carded



PART NO.	DESCRIPTION	CTN/MSTR
<b>C25482</b>	Chrome Plated Push-Button Diverter Assembly fits Moen® Chateau and Legend Tub/Shower Valves	4/48

## CARTRIDGE FITS VALLEY® AQUALINE™

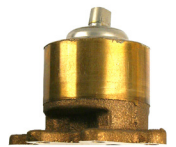
- Fits Valley® Aqualine™ lavatory and kitchen faucets
- Replaces #V-6680
- For single handle faucets
- Plastic
- 2-5/16" overall length
- Carded



PART NO.	DESCRIPTION	CTN/MSTR
<b>C1770CH</b>	Cartridge fits Valley® Aqualine™	6/72

## FLOW-MATIC™ TUB/SHOWER CARTRIDGE FITS PFISTER® AVANTE

- Fits Pfister® Avante and Flow-Matic™ tub and shower faucets
- Replaces #900-022
- For single handle faucets
- Solid brass body
- Complete with 4 installation screws and gasket
- 2-1/4" overall length
- Carded



PART NO.	DESCRIPTION	CTN/MSTR
<b>C07755</b>	Flow-Matic™ Tub/Shower Cartridge fits Pfister® Avante	6/48

## CARTRIDGE FITS ZURN®, SYMMONS®, JONES STEPHENS® AND AQUAPLUMB®

- Fits Symmons®, Zurn®, Jones Stephens® and AquaPlumb® faucets
- Also fits some imports
- For single handle faucets
- Plastic washerless body with ceramic controls
- Temperature limit stop that can be set to avoid scalding
- 2-5/8" overall length
- Carded



PART NO.	DESCRIPTION	CTN/MSTR
<b>C07651</b>	40MM (1-9/16") Cartridge fits Zurn®, Symmons®, Jones Stephens® and AquaPlumb®	6/144

## TWO & THREE HANDLE STEMS

### LAVATORY CERAMIC STEM FITS ALTMANS® AND SEARS®

- Fits Altmans® and Sears® lavatory faucets
- Lead free brass body with ceramic control
- 2-1/8" overall length
- Quarter turn
- Carded



PART NO.	DESCRIPTION	CTN/MSTR
<b>C07632</b>	Hot Lavatory Ceramic Stem fits Altmans® and Sears®	6/144
<b>C07682</b>	Cold Lavatory Ceramic Stem fits Altmans® and Sears®	6/144

### CERAMIC STEM FITS ALTMANS® SIGMA

- Fits Altmans® Sigma lavatory and kitchen faucets
- Lead free brass body with ceramic control
- 2-5/8" overall length
- Quarter turn
- Carded



PART NO.	DESCRIPTION	CTN/MSTR
<b>C07633</b>	Hot Ceramic Stem fits Altmans® Sigma	6/144
<b>C07683</b>	Cold Ceramic Stem fits Altmans® Sigma	6/144

### STEM FITS AMERICAN STANDARD® CADET

- Fits American Standard® Cadet faucets: Sink (4160 series) Lavatory (2350 Series) Bath (1800 Series)
- For hot or cold side of the faucet
- Lead free brass
- With Nu-Seal washer on bottom
- 1-11/16" overall length
- Carded



PART NO.	DESCRIPTION	CTN/MSTR
<b>C07274</b>	Hot or Cold Stem fits American Standard® Cadet	6/144

## TUB/SHOWER STEM FITS AMERICAN STANDARD® COLONY™

- Fits American Standard® tub and shower faucets
- Replaces #50729-07
- For hot or cold side of the faucet
- Brass
- With bonnet, bibb washer, bibb screw, stainless steel wavy washer and packing washer
- 4-9/16" overall length
- Carded



PART NO.	DESCRIPTION	CTN/MSTR
<b>C07324</b>	Hot or Cold Tub/Shower Stem fits American Standard® Colony™	6/72

### LAVATORY STEM FITS CRANE® DIAL-ESE

- Fits Crane® Dial-ese lavatory and sink faucets
- Replaces #FB8552, #FB8553, #FB8173 and #FB8172
- Lead free brass
- With bonnet, bottom seal and cork-style gasket
- 2-5/16" overall length
- Carded



PART NO.	DESCRIPTION	CTN/MSTR
<b>C07411</b>	Hot Lavatory Stem fits Crane® Dial-ese	6/144
<b>C07412</b>	Cold Lavatory Stem fits Crane® Dial-ese	6/144

### WASHERLESS STEM FITS DELTA®/DELEX® AND PEERLESS®

- Fits Delta®/Delex® and Peerless® lavatory and kitchen faucets
- Replaces #RP1740 and #RP1745
- For hot or cold side of the faucet
- Celcon plastic
- For two and three handle washerless faucets
- Complete with a new style seat and spring
- Stainless steel bottom plate
- 1-13/16" overall length
- C25435 and C25461 are carded; C25466 is in reclosable clam box



PART NO.	DESCRIPTION	CTN/MSTR
<b>C25435</b>	Hot or Cold Washerless Stem fits Delta®/Delex® and Peerless®	6/72
<b>C25461</b>	Hot or Cold Washerless Stem fits Delta®/Delex® and Peerless®, 1 Pair	4/48
<b>C25466</b>	Hot or Cold Washerless Stem fits Delta®/Delex® and Peerless®, 5 Pack	4/32



## BRASS STEM FITS DELTA®/DELEX® AND PEERLESS®

- Fits Delta®/Delex® and Peerless® faucets
- Replaces #RP25513
- For hot or cold side of the faucet
- Celcon body; brass stem
- For two and three handle faucets
- Includes stop insert allowing for use with knob and lever style handles
- Stainless steel bottom plate
- Complete with seat and spring
- 1-15/16" overall length
- C25448 is carded; C25467 is in reclosable clam box



PART NO.	DESCRIPTION	CTN/MSTR
<b>C25448</b>	Hot or Cold Brass Stem fits Delta®/Delex® and Peerless®	6/48
<b>C25467</b>	Hot or Cold Brass Stem fits Delta®/Delex® and Peerless®, 5 Pack	4/32

## STEM EXTENSION FITS DELTA®/DELEX® AND PEERLESS®

- Fits Delta®/Delex® and Peerless® tub and shower faucets
- Replaces #RP18627
- For two handle faucets
- White celcon plastic
- Half-moon broach
- Includes extra-long handle screw to reach the stem
- Includes hex wrench for handle and flange set screws
- 3" overall length
- Carded



PART NO.	DESCRIPTION	CTN/MSTR
<b>C25453</b>	Stem Extension fits Delta®/Delex® and Peerless® Tub/ Shower Faucets	4/48

## DIVERTER ASSEMBLY FITS DELTA®/DELEX® AND PEERLESS®

- Fits Delta®/Delex® and Peerless® kitchen faucets
- Replaces #RP320 and #RP63136
- For two handle faucets
- Diverts water to hand spray or spout
- Plastic body with brass center assembly
- Rubber seal for positive shut-off between functions
- Carded



PART NO.	DESCRIPTION	CTN/MSTR
<b>C25457</b>	Diverter Assembly fits Delta®/Delex® and Peerless® Kitchen Faucets	6/72

## HOT OR COLD TUB/SHOWER STEM FITS GERBER®

- Fits Gerber® tub and shower faucets
- Replaces #98-674
- For hot or cold side of the faucet
- Brass
- With bonnet, bibb washer, bibb screw, cap gasket, packing washer and packing nut
- 5-7/16" overall length
- Carded



PART NO.	DESCRIPTION	CTN/MSTR
<b>C07435</b>	Hot or Cold Tub/Shower Stem fits Gerber®	6/72

## CERAMIC STEM FITS GLACIER BAY®

- Fits Glacier Bay® lavatory and kitchen faucets
- Fits Dorset™ and Builder™ series faucets
- Plastic washerless body with ceramic controls and internal stop to prevent handle from spinning
- 1-15/16" overall length
- Quarter turn
- Carded



PART NO.	DESCRIPTION	CTN/MSTR
<b>C07626</b>	Hot Ceramic Stem fits Glacier Bay®	6/144
<b>C07676</b>	Cold Ceramic Stem fits Glacier Bay®	6/144

## CERAMIC STEM FITS GLACIER BAY® AND AQUASOURCE

- Fits Glacier Bay® & AquaSource lavatory and kitchen faucets
- Fits faucets that use external stop that uses inside of the handle to prevent it from spinning
- Plastic washerless body with ceramic controls
- 2" overall length
- Quarter turn
- Carded



PART NO.	DESCRIPTION	CTN/MSTR
<b>C07627</b>	Hot Ceramic Stem fits Glacier Bay® and AquaSource	6/144
<b>C07677</b>	Cold Ceramic Stem fits Glacier Bay® and AquaSource	6/144

## HOT OR COLD TUB/SHOWER STEM FITS HARCRAFT®

- Fits Harcraft® tub and shower faucets
- For hot or cold side of the faucet
- Brass
- With bonnet, bibb washer, bibb screw and cap gasket
- 4-9/16" overall length
- Carded



PART NO.	DESCRIPTION	CTN/MSTR
<b>C07414</b>	Hot or Cold Tub/Shower Stem fits Harcraft®	6/72

## TUB/SHOWER CERAMIC STEM FITS HARDEN®

- Fits Harden® tub and shower faucets
- Cut-off points on broach to cut-down stem for perfect handle clearance
- Lead free brass body with ceramic control
- 4-5/8" overall length
- Quarter turn
- Carded



PART NO.	DESCRIPTION	CTN/MSTR
<b>C07624</b>	Hot Tub/Shower Ceramic Stem fits Harden®	6/72
<b>C07674</b>	Cold Tub/Shower Ceramic Stem fits Harden®	6/72

## WIDESPREAD LAVATORY CERAMIC STEM FITS HARDEN®

- Fits Harden® widespread lavatory faucets
- Cut-off points on broach to cut-down stem for perfect handle clearance
- Lead free brass body with ceramic control
- 3-1/2" overall length
- Quarter turn
- Carded



PART NO.	DESCRIPTION	CTN/MSTR
<b>C07625</b>	Hot Widespread Lavatory Ceramic Stem fits Harden®	6/72
<b>C07675</b>	Cold Widespread Lavatory Ceramic Stem fits Harden®	6/72

## LAVATORY CERAMIC STEM FITS JADO®

- Fits Jado® lavatory faucets
- Lead free brass body with ceramic control
- 2-1/8" overall length
- Quarter turn
- Carded



PART NO.	DESCRIPTION	CTN/MSTR
<b>C07637</b>	Hot Lavatory Ceramic Stem fits Jado®	6/144
<b>C07687</b>	Cold Lavatory Ceramic Stem fits Jado®	6/144

## CERAMIC STEM FITS MOEN® LAVATORY FAUCETS

- Fits Moen® 8210 lavatory faucets
- Replaces #52000
- For two handle faucets
- Lead free brass body with ceramic disc
- 1-7/8" overall length
- Carded



PART NO.	DESCRIPTION	CTN/MSTR
<b>C25479</b>	Hot Ceramic Stem fits Moen® Lavatory Faucets	3/48
<b>C25478</b>	Cold Ceramic Stem fits Moen® Lavatory Faucets	3/48

## STEM FITS MOEN® AND STANADYNE™

- Fits Moen® kitchen and lavatory faucets
- Replaces #1224 and #1248B
- For two handle faucets
- For hot or cold side of the faucet
- Washerless
- Plastic body with stainless steel interior
- 2-5/8" overall length
- Carded



PART NO.	DESCRIPTION	CTN/MSTR
<b>C1765CH</b>	Hot or Cold Stem fits Moen® and Stanadyne™	6/144

## CERAMIC STEM FITS NEWPORT BRASS®

- Fits Newport Brass® lavatory and kitchen faucets
- Lead free brass body with ceramic control
- 2-5/8" overall length
- Quarter turn
- Carded



PART NO.	DESCRIPTION	CTN/MSTR
<b>C07645</b>	Hot Ceramic Stem fits Newport Brass®	6/144
<b>C07695</b>	Cold Ceramic Stem fits Newport Brass®	6/144

**HOT OR COLD TUB/SHOWER STEM FITS  
PFISTER® CROWN IMPERIAL**

- Fits Pfister® tub and shower
- Replaces #910-013, 910-034, S10-013 and S10-034
- For hot or cold side of the faucet
- Brass
- With bonnet, bibb washer, bibb screw, cap gasket, packing washer and packing nut
- 4-5/16" overall length
- Carded



PART NO.	DESCRIPTION	CTN/MSTR
<b>C07409</b>	Hot or Cold Tub/Shower Stem fits Pfister® Crown Imperial	6/72

**DIVERTER TUB/SHOWER STEM FITS  
PFISTER® CROWN IMPERIAL**

- Fits Pfister® tub and shower faucets
- Replaces #910-022 and S10-022
- For center diverter to send water to shower or tub spout
- Brass
- With bonnet, bibb washer, bibb screw, cap gasket, packing washer and packing nut
- 4-5/16" overall length
- Carded



PART NO.	DESCRIPTION	CTN/MSTR
<b>C07410</b>	Diverter Tub/Shower Stem fits Pfister® Crown Imperial	6/72

**HOT OR COLD TUB/SHOWER STEM FITS  
PFISTER® BEAUX ART**

- Fits Pfister® tub and shower faucets
- Replaces #910-043
- For hot or cold side of the faucet
- Brass
- With bonnet, bibb washer, bibb screw, cap gasket, packing washer and packing nut
- 5-1/16" overall length
- Carded



PART NO.	DESCRIPTION	CTN/MSTR
<b>C07453</b>	Hot or Cold Tub/Shower Stem fits Pfister® Beaux Art	6/72

**DIVERTER TUB/SHOWER STEM FITS  
PFISTER® BEAUX ART**

- Fits Pfister® tub and shower faucets
- Replaces #910-052
- For center diverter to send water up to shower or down to tub spout
- Brass
- With bonnet, bibb washer, bibb screw, cap gasket, packing washer and packing nut
- 4-5/16" overall length
- Carded



PART NO.	DESCRIPTION	CTN/MSTR
<b>C07404</b>	Diverter Tub/Shower Stem fits Pfister® Beaux Art	6/72

**HOT OR COLD TUB/SHOWER STEM FITS  
PFISTER® MARQUIS AND VERVE**

- Fits Pfister® tub and shower faucets
- Replaces #910-374 and #S10-375
- For hot or cold side of the faucet
- Brass
- With bonnet, bibb washer, bibb screw, cap gasket, packing washer and packing nut
- 5-9/16" overall length
- Carded



PART NO.	DESCRIPTION	CTN/MSTR
<b>C07461</b>	Hot or Cold Tub/Shower Stem fits Pfister® Marquis and Verve	6/72

**DIVERTER TUB/SHOWER STEM FITS  
PFISTER® MARQUIS AND VERVE**

- Fits Pfister® tub and shower faucets
- Replaces #910-385 and #S910-385
- For center diverter to send water to shower or tub spout
- Brass
- With bonnet, bibb washer, bibb screw, cap gasket, packing washer and packing nut
- 5-5/8" overall length
- Carded



PART NO.	DESCRIPTION	CTN/MSTR
<b>C07462</b>	Diverter Tub/Shower Stem fits Pfister® Marquis and Verve	6/72

## HOT OR COLD WIDESPREAD STEM FITS PFISTER®

- Fits Pfister® lavatory faucets
- Replaces #910-523 and #S10-522
- For hot or cold side of the faucet
- Lead free brass
- With bonnet, bibb washer, bibb screw and cap gasket
- 6" overall length
- Carded



PART NO.	DESCRIPTION	CTN/MSTR
<b>C07487</b>	Hot or Cold Widespread Stem fits Pfister®	6/72

## HOT OR COLD TUB/SHOWER STEM FITS SAYCO® NEW STYLE

- Fits Sayco® tub and shower faucets
- Fits tub and shower faucet models 308 and T-308 (from 1968 to current)
- For hot or cold side of the faucet
- Brass
- With bonnet, bibb washer, bibb screw, cap gasket, packing washer and packing nut
- 4-11/16" overall length
- Carded



PART NO.	DESCRIPTION	CTN/MSTR
<b>C07326</b>	Hot or Cold Tub/Shower Stem fits Sayco® New Style	6/72

## DIVERTER TUB/SHOWER STEM FITS SAYCO® NEW STYLE

- Fits Sayco® tub and shower faucets
- Fits tub and shower faucet models 308 and T-308 (from 1968 to current)
- For center diverter to send water to shower or tub spout
- Brass
- With bonnet, bibb washer, bibb screw, cap gasket, packing washer and packing nut
- 4-11/16" overall length
- Carded



PART NO.	DESCRIPTION	CTN/MSTR
<b>C07417</b>	Diverter Tub/Shower Stem fits Sayco® New Style	6/72

## LAVATORY CERAMIC STEM FITS SPEAKMAN®

- Fits Speakman® lavatory faucets
- Lead free brass body with ceramic control
- 2-3/8" overall length
- Quarter turn
- Carded



PART NO.	DESCRIPTION	CTN/MSTR
<b>C07641</b>	Hot Lavatory Ceramic Stem fits Speakman®	6/144
<b>C07691</b>	Cold Lavatory Ceramic Stem fits Speakman®	6/144

## HOT OR COLD TUB/SHOWER STEM FITS STERLING®

- Fits Sterling® tub and shower faucets
- Replaces #A1944
- For hot or cold side of the faucet
- Brass
- With bonnet, bibb washer, bibb screw, cap gasket, packing washer and packing nut
- 4-3/4" overall length
- Carded



PART NO.	DESCRIPTION	CTN/MSTR
<b>C07308</b>	Hot or Cold Tub/Shower Stem fits Sterling®	6/72

## DIVERTER TUB/SHOWER STEM FITS STERLING®

- Fits Sterling® tub and shower faucets
- Replaces #A8106
- For center diverter to send water to shower or tub spout
- Brass
- With bonnet, bibb washer, bibb screw, cap gasket, packing washer and packing nut
- 4-11/16" overall length
- Carded



PART NO.	DESCRIPTION	CTN/MSTR
<b>C07310</b>	Diverter Tub/Shower Stem fits Sterling®	6/72

**HOT OR COLD WASHERLESS TUB/  
SHOWER STEMS FITS STERLING®**

- Fits Sterling® tub and shower faucets
- Fits tub and shower faucet models 031, 032 and 033
- For hot or cold side of the faucet
- Brass
- With plastic bottom assembly, plastic seat assembly, seat, spring, O-ring seals and handle screw
- Includes two different lengths - short 3-9/16" overall length and long 4-1/4" overall length
- Carded



PART NO.	DESCRIPTION	CTN/MSTR
<b>C07323</b>	Hot or Cold Washerless Tub/Shower Stems fits Sterling®, Includes Short and Long Length	6/72

**HOT OR COLD WASHERLESS STEM  
FITS VALLEY®**

- Fits Valley® lavatory and kitchen faucets
- For hot or cold side of the faucet
- Plastic
- Washerless
- 1-7/8" overall length
- Carded



PART NO.	DESCRIPTION	CTN/MSTR
<b>C07229</b>	Hot or Cold Washerless Stem fits Valley®	6/144

**HOT OR COLD WASHERLESS TUB/  
SHOWER STEM FITS VALLEY®**

- Fits Valley® tub and shower faucets
- For hot or cold side of the faucet
- Plastic
- Washerless
- 2-1/2" overall length
- Carded



PART NO.	DESCRIPTION	CTN/MSTR
<b>C07225</b>	Hot or Cold Washerless Tub/Shower Stem fits Valley®	6/144

**REPAIR KITS**

**COMPLETE FAUCET REPAIR KIT FITS  
DELTA®/DELEX® AND PEERLESS® BALL  
STYLE FAUCETS**

- Fits Delta®/Delex® and Peerless® ball style faucets
- Replaces #RP3614
- Fits faucets with knob or lever handles
- Includes spout o-rings and 2 new style seats and springs
- Fits slotted and heart-shaped cam
- Includes wrench to remove set screw style handles
- Also fits most imported ball-style faucets
- Carded



PART NO.	DESCRIPTION	CTN/MSTR
<b>C25429</b>	Complete Faucet Repair Kit fits Delta®/Delex® and Peerless® Ball Style Faucets	6/72

**COMPLETE FAUCET REPAIR KIT FITS  
DELTA®/DELEX® AND PEERLESS® 70  
STYLE BALL FAUCET**

- Fits Delta®/Delex® and Peerless® 70 ball style faucets
- Replaces #RP3614 and #RP70
- Fits faucets with lever handles and set screws
- With 70 style stainless steel ball
- Includes spout o-rings and 2 new style seats and springs
- Heart-shaped cam
- Includes wrench to remove set screw style handles
- Also fits most imported ball-style faucets
- Carded



PART NO.	DESCRIPTION	CTN/MSTR
<b>C25436</b>	Complete Faucet Repair Kit fits Delta®/Delex® and Peerless® Ball Style Faucets	4/48

**COMPLETE FAUCET REPAIR KIT FITS  
DELTA®/DELEX® AND PEERLESS® 212  
STYLE BALL FAUCETS**

- Fits Delta®/Delex® and Peerless® 212 ball style faucets
- Replaces #RP3614 and #RP212
- Fits faucets with knob handles
- With 212 style stainless steel ball
- Includes spout o-rings and 2 new style seats and springs
- Slotted cam
- Includes wrench to remove set screw style handles
- Also fits most imported ball-style faucets
- Carded



PART NO.	DESCRIPTION	CTN/MSTR
<b>C25437</b>	Complete Faucet Repair Kit fits Delta®/Delex® and Peerless® Ball Style Faucets	4/48

## COMPLETE FAUCET REPAIR KIT FITS DELTA®/DELEX® AND PEERLESS® TWO HANDLE FAUCETS

- Fits Delta®/Delex® and Peerless® lavatory and kitchen faucets
- Replaces #RP1740, #RP23498 and #RP4993
- For two handle faucets
- Includes 2 washerless 1740 style stems and 2 new style seats and springs
- Hot and Cold acrylic handles with index button and screws
- Carded



PART NO.	DESCRIPTION	CTN/MSTR
<b>C25460</b>	Complete Faucet Repair Kit fits Delta®/Delex® and Peerless® Two Handle Faucets	4/24

## CAP ASSEMBLY FITS DELTA®/DELEX® AND PEERLESS®

- Fits Delta®/Delex® and Peerless® kitchen faucets
- Replaces #RP50
- Chrome plated finish
- Solid brass construction
- Includes nylon adjustment ring
- Replaces old style with grip ridges on bottom
- Also fits most imported ball-style faucets
- Carded



PART NO.	DESCRIPTION	CTN/MSTR
<b>C25432</b>	Chrome Plated Cap Assembly fits Delta®/Delex® and Peerless® Style Faucets	4/48

## PEX COMPRESSION ADAPTER FITS DELTA® FAUCETS

- Fits Delta® lavatory and kitchen faucets
- Replaces #RP63263
- Also fits other lavatory and kitchen faucet brands
- Chrome plated brass
- Includes: 4 adapters and 4 rubber washers
- 2 adapters for 1/2" IPS to 3/8" compression; 2 adapters for 1/2" compression to 3/8" compression
- Lead free
- Carded



PART NO.	DESCRIPTION	CTN/MSTR
<b>C25446</b>	Chrome Plated 1/2" x 3/8" PEX Compression Adapter fits Delta® Faucets	6/48

## CARTRIDGE REMOVAL TOOL FITS MOEN®

- Fits Moen® 1200, 1225 and 1222 style cartridges
- Replaces #104421
- For single handle faucets
- Chrome plated steel construction
- T-handle provides extra leverage for pulling or twisting
- Carded



PART NO.	DESCRIPTION	CTN/MSTR
<b>C25503</b>	Cartridge Removal Tool fits Moen® Cartridges	3/24

## FAUCET HANDLE ADAPTER KIT FITS MOEN® CHATEAU

- Fits Moen® 7400 and 7600 series kitchen faucets
- Replaces #100429
- Used to replace old style lever handles
- Zinc die cast mount and plastic stem bushings
- Complete with handle screw, set screw and hex key
- Carded



PART NO.	DESCRIPTION	CTN/MSTR
<b>C25491</b>	Faucet Handle Adapter Kit fits Moen® Chateau Single Handle Kitchen Faucets	6/72

## REPAIR KIT FITS MOEN® POSI-TEMP® CARTRIDGES

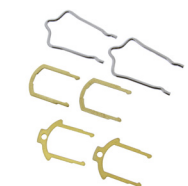
- Fits Moen® Posi-Temp® faucets
- Replaces #96914
- For single handle faucets
- Complete with (1) stainless steel lock clip, (2) cartridge side seals, (1) non-toxic stem grease packet and (5) o-rings
- Carded



PART NO.	DESCRIPTION	CTN/MSTR
<b>C25471</b>	Repair Kit fits Moen® Posi-Temp® Cartridges	6/144

## REPAIR KIT FITS MOEN® BRASS OR PLASTIC CARTRIDGES

- Fits Moen® Posi-Temp®, Chateau and Magnum faucets
- Replaces #833, #1883 and #96914
- For single handle faucets
- Includes: (2) new style and (2) old style brass retainer clips for Magnum & Chateau and (2) stainless steel clips for Posi-Temp®
- Carded



PART NO.	DESCRIPTION	CTN/MSTR
<b>C25474</b>	Repair Kit fits Moen® Brass or Plastic Cartridges	6/144

## FAUCET HANDLES

### SINGLE KNOB REPLACEMENT HANDLE FITS DELTA® LAVATORY

- Fits Delta® lavatory faucets
- Replaces #RP17449
- Crystal clear acrylic
- Complete with handle screw and index button
- Straight broach (handle attachment) to work on lavatory faucets
- Fits diamond-shaped stem with center broach
- Carded



PART NO.	DESCRIPTION	CTN/MSTR
<b>C25441</b>	Acrylic Single Knob Replacement Handle fits Delta® Lavatory Faucets	4/32

### SINGLE KNOB REPLACEMENT HANDLE FITS DELTA® TUB/SHOWER

- Fits Delta® tub and shower faucets
- Replaces #RP17451 and #RP2391
- Crystal clear acrylic
- Complete with handle screw and index button
- Offset broach (handle attachment) to work with tub and shower faucets
- Fits diamond-shaped stem with center broach
- Carded



PART NO.	DESCRIPTION	CTN/MSTR
<b>C25438</b>	Acrylic Single Knob Replacement Handle fits Delta® Tub/ Shower Faucets	4/32

### SINGLE KNOB REPLACEMENT HANDLE FITS DELTA® MONITOR® AND SCALD-GUARD®

- Fits Delta® Monitor® and Scald-Guard® series tub and shower faucets
- Replaces #H71
- Crystal clear acrylic
- Complete with handle screw and index button
- Broached to fit Monitor® Scald-Guard® style cartridges
- Carded



PART NO.	DESCRIPTION	CTN/MSTR
<b>C25442</b>	Acrylic Single Knob Replacement Handle fits Delta® Monitor® and Scald-Guard® Tub/Shower Faucets	4/32

### SINGLE LEVER HANDLE FITS DELTA®/ DELEX® AND PEERLESS®

- Fits Delta®/Delex® and Peerless® 70 ball style lavatory and tub and shower faucets
- Replaces #RP90
- Chrome plated finish
- Includes set screw to attach to 70 style ball
- Shorter pattern to work with lavatory, commercial sink faucets and some tub and shower faucets
- Also fits most imported ball-style faucets
- ADA compliant
- Carded



PART NO.	DESCRIPTION	CTN/MSTR
<b>C25439</b>	Chrome Plated Lever Handle fits Delta®/Delex® and Peerless®	4/32

### SINGLE LEVER REPLACEMENT HANDLE FITS DELTA®/DELEX® AND PEERLESS®

- Fits Delta®/Delex® and Peerless® 70 ball style kitchen faucets
- Replaces #RP2393
- Chrome plated finish
- Includes set screw to attach to 70 style ball
- Longer pattern
- Also fits most imported ball-style faucets
- ADA compliant
- Carded



PART NO.	DESCRIPTION	CTN/MSTR
<b>C25440</b>	Chrome Plated Single Lever Replacement Handle fits Delta®/Delex® and Peerless® Kitchen Faucets	4/32

### SINGLE LEVER REPLACEMENT HANDLE FITS DELTA®

- Fits Delta® tub and shower faucets
- Replaces #RP17443
- Chrome plated finish
- Includes set screw to attach to top of stem
- ADA compliant
- Carded



PART NO.	DESCRIPTION	CTN/MSTR
<b>C25443</b>	Chrome Plated Single Lever Replacement Handle fits Delta® Tub/Shower Faucets	4/32

### KNOB REPLACEMENT HANDLES FITS DELTA®/DELEX® AND PEERLESS®

- Fits Delta®/Delex® and Peerless® lavatory and kitchen faucets
- Replaces #RP23498
- Crystal clear acrylic
- Complete with handle screws and index buttons
- Half-Moon shaped broach (handle attachment) to fit two handle style stems
- Also fits most imported faucets with half-moon shaped broach
- Carded



PART NO.	DESCRIPTION	CTN/MSTR
<b>C25445</b>	Acrylic Knob Replacement Handles fits Delta®/Delex® and Peerless®, Pair	4/32

The manufacturers' names are used only to describe whose products the items will fit. The items in this catalog are not manufactured by those companies.

## WIDESPREAD KNOB REPLACEMENT HANDLES FITS DELTA®/DELEX® AND PEERLESS, PAIR

- Fits Delta®/Delex® and Peerless® widespread lavatory and tub and shower faucets, and bidets
- Replaces #H41A
- Crystal clear acrylic
- Complete with handle screws and index buttons
- Half-Moon shaped broach (handle attachment) to fit two handle style stems
- Carded



PART CODE	DESCRIPTION	CTN/MSTR
<b>C25444</b>	Acrylic Widespread Knob Replacement Handles fits Delta®/Delex® and Peerless, Pair	4/32

## SINGLE KNOB REPLACEMENT HANDLE FITS MOEN® CHATEAU

- Fits Moen® Chateau and Magnum lavatory faucets
- Replaces #96791
- For single handle faucets
- Crystal clear acrylic
- Short broach
- Complete with index button, handle screw and stem adapter ring
- 1-7/8" overall height
- Carded



PART CODE	DESCRIPTION	CTN/MSTR
<b>H53032</b>	Acrylic Single Knob Replacement Handle fits Moen® Chateau Lavatory Faucets	6/48

## SINGLE KNOB REPLACEMENT HANDLE FITS MOEN® CHATEAU

- Fits Moen® Chateau and Magnum tub and shower faucets
- Replaces #96797
- For single handle faucets
- Crystal clear acrylic
- Long/Deep broach
- Complete with handle screw, index button and stem adapter ring
- 1-7/8" overall height
- Carded



PART CODE	DESCRIPTION	CTN/MSTR
<b>H54031</b>	Acrylic Single Knob Replacement Handle with Deep Broach fits Moen® Chateau Tub/Shower Faucets	6/48

## SINGLE KNOB REPLACEMENT HANDLE FITS MOEN® POSI-TEMP®

- Fits Moen® Posi-Temp® tub and shower faucets
- Replaces #100710
- For single handle faucets
- Crystal clear acrylic
- Long broach
- Complete with handle screw, index button and stem adapter ring
- 1-7/8" overall height
- Carded



PART NO.	DESCRIPTION	CTN/MSTR
<b>H54033</b>	Acrylic Single Knob Replacement Handle fits Moen® Posi-Temp® Tub/Shower Faucets	6/48

## SINGLE LEVER REPLACEMENT HANDLE FITS MOEN® POSI-TEMP®

- Fits Moen® Posi-Temp® tub and shower faucets
- Replaces #14732
- For single handle faucets
- Chrome plated zinc die cast construction
- Long broach with integral stop
- Complete with index button and handle screw
- 5" long, 2-5/16" diameter canopy
- Carded



PART CODE	DESCRIPTION	CTN/MSTR
<b>H54034</b>	Chrome Plated Single Lever Replacement Handle fits Moen® Posi-Temp® Tub/Shower Faucets, Old Style	4/48

## SINGLE LEVER REPLACEMENT HANDLE FITS MOEN® POSI-TEMP®

- Fits Moen® Chateau and Posi-Temp® tub and shower faucets
- Replaces #100224
- For single handle faucets
- Chrome plated zinc die cast construction
- Complete with handle screw, set screw and hex wrench
- 4-1/16" long, 2-1/8" diameter canopy
- Carded



PART NO.	DESCRIPTION	CTN/MSTR
<b>H54039</b>	Chrome Plated Single Lever Replacement Handle fits Moen® Posi-Temp® Tub/Shower Faucets, New Style	4/48

## METAL TUB REPLACEMENT HANDLES FITS PFISTER® VERVE

- Fits Pfister® Verve tub and shower faucets
- Chrome plated die-cast
- Includes three index buttons so it can be used as a hot, cold or diverter handle
- Complete with handle screw
- Carded



PART NO.	DESCRIPTION	CTN/MSTR
<b>H54045</b>	Chrome Plated Metal Tub Replacement Handles fits Pfister® Verve	6/48



## FAUCET SEATS

### 144 PIECE BRASS FAUCET SEAT ASSORTMENT

- 144 piece assortment includes 140 brass faucet seats and 4 monel faucet seats
- 36 different items
- Lead free for use with potable water
- For compression style bathroom, lavatory, kitchen, bar, laundry and tub shower faucets
- Brands include American Standard®, Arrowhead®, Central®, Crane®/Repcal™, Eljer®, Gerber®, Harcraft®, Indiana®, Kohler®, Milwaukee®, Pfister®, Savoy®, Sayco®, Speakman®, Sterling®, Streamway® and Union Brass®
- Recloseable compartmentalized box includes a descriptive lid insert with pictures showing sizes and thread types



PART NO.	DESCRIPTION	CTN/MSTR
<b>C07110</b>	144 Piece Brass Faucet Seat Assortment	1/10

### FAUCET SEAT AND SPRING KIT FITS VALLEY® AQUALINE

- Fits Valley® Aqualine faucets
- For two-handle and single handle faucets
- Simple repair to fix leaking faucet
- Repairs lever and crystal handle faucets
- Includes two seats, two springs and two stiffeners
- Carded



PART NO.	DESCRIPTION	CTN/MSTR
<b>C1760S</b>	Faucet Seat and Spring Kit fits Valley® Aqualine Faucets	6/144

## GASKETS

### 217 PIECE ASSORTED O-RING KIT

- 217 piece assortment
- Includes 14 different sizes of O-rings
- O-rings are made of low-swell Buna-N material, ideal for all plumbing applications
- All of the most common sizes found in stems, single handle cartridges and faucet spouts
- Includes 1/2 oz. container of non-toxic silicone plumber's grease in resealable tub
- Recloseable compartmentalized box includes a descriptive lid insert with size chart and full size pictures



PART NO.	DESCRIPTION	CTN/MSTR
<b>O25201</b>	217 Piece Assorted O-Ring Kit	1/20

### KITCHEN SPOUT O-RINGS FITS DELTA® FAUCETS

- Fits Delta® kitchen faucets
- Replaces #RP25 and #RP2055
- Fits single handle and two handle spouts
- Complete 5 piece O-ring kit
- Self lubricating neoprene rubber
- Carded



PART NO.	DESCRIPTION	CTN/MSTR
<b>C25458</b>	Kitchen Spout O-Rings fits Delta® Faucets	6/144

### 160 PIECE ASSORTED BEVELED BIBB WASHER AND SCREW KIT

- 160 piece assortment
- Includes 6 sizes of beveled bibb washers and 3 sizes of brass bibb screws
- Washers include trade size 00, 0, 1/4L, 3/8R, 3/8L and 1/2
- Washers are made from the highest quality neoprene and are precision molded for long life
- Bibb screws 1/2" x 8-32, 1/2" x 10-24 and 1/2" x 10-32
- Recloseable compartmentalized box includes a descriptive lid insert



PART NO.	DESCRIPTION	CTN/MSTR
<b>J40155</b>	160 Piece Assorted Beveled Bibb Washer and Screw Kit	1/20

### 205 PIECE ASSORTED FLAT BIBB WASHER AND SCREW KIT

- 205 piece assortment
- Includes 7 sizes of flat bibb washers and 3 sizes of brass bibb screws
- Washers include trade size 00, 0, 1/4, 1/4L, 3/8R, 3/8L and 1/2
- Washers are made from the highest quality neoprene and are precision molded for long life
- Bibb screws 3/8" x 8-32, 3/8" x 10-24 and 3/8" x 10-32
- Recloseable compartmentalized box includes a descriptive lid insert



PART NO.	DESCRIPTION	CTN/MSTR
<b>J40161</b>	205 Piece Assorted Flat Bibb Washer and Screw Kit	1/20

### FLAT BIBB WASHER

- Washers are made from the highest quality neoprene and are precision molded for long life
- Low-swell material will maintain shape in water
- Pack of 25
- Carded



PART NO.	DESCRIPTION	CTN/MSTR
<b>J40165</b>	1/4S Flat Bibb Washer, Trade Size 00	12/144
<b>J40166</b>	1/4M Flat Bibb Washer Trade Size 0	12/144
<b>J40167</b>	1/4 Flat Bibb Washer, Trade Size 1/4	12/144
<b>J40168</b>	3/8L Flat Bibb Washer, Trade Size 3/8L	12/144

## SEALS & GREASE

### PLUMBER'S FAUCET AND VALVE GREASE, NON-TOXIC WATERPROOF SILICONE

- All purpose plumbing lubricant
- Non-toxic and safe to use in all potable water systems
- Reduces wear on faucets, valves and pumps
- Aids in installation of faucet spouts, O-rings and stem repair kits
- 1/2 oz. recloseable tub
- Carded



PART NO.	DESCRIPTION	CTN/MSTR
<b>J40196</b>	Plumber's Faucet and Valve Grease	6/144

### 24" PTFE TEFLON™ STYLE STRING PACKING

- Can be formed into washers, gaskets and packings
- Holds up to steam, alkalis and solvents
- 3/32" thick string, 24" overall length
- Will replace any size or shape of stem packing, simply wrap around stem and tighten down packing nut
- Can also be used to repair valves, pumps and other types of equipment
- Carded



PART NO.	DESCRIPTION	CTN/MSTR
<b>J40160</b>	24" PTFE Teflon™ Style String Packing	6/144

## AERATORS & FAUCET END COMPONENTS

### CHROME PLATED DUAL THREAD 15/16"- 27T LARGE MALE X 55/64"- 27T LARGE FEMALE NON-SLOTTED AERATOR

- Dual thread
- 15/16" x 27T large male thread
- 55/64" x 27T large female thread
- Chrome plated brass body
- Pressure compensating for constant flow from 20 to 80 PSI
- Anti-clogging dome screen filters sediment and particles
- Meets low lead requirements
- A01037 and A01075 are carded; A01070 is bagged (12 Pack)



PART NO.	DESCRIPTION	CEC COMPLIANT	CTN/MSTR
<b>A01037</b>	Dual Thread Non-Slotted .5 GPM Aerator, Carded	Yes	6/144
<b>A01075</b>	Dual Thread Non-Slotted 1.8 GPM Aerator, Carded	No	6/144
<b>A01070</b>	Dual Thread Non-Slotted 1.8 GPM Aerator, Pack of 12, Bagged	No	6/72

### CHROME PLATED 55/64" - 27T LARGE FEMALE THREAD NON-SLOTTED AERATOR

- Large female thread
- 55/64" female
- Chrome plated brass body
- Pressure compensating for constant flow from 20 to 80 PSI
- Anti-clogging dome screen filters sediment and particles
- Meets low lead requirements
- Carded



PART NO.	DESCRIPTION	CEC COMPLIANT	CTN/MSTR
<b>A01076</b>	Non-Slotted .5 GPM Aerator	Yes	6/144
<b>A01078</b>	Non-Slotted 1.0 GPM Aerator	No	6/144
<b>A01072</b>	Non-Slotted 1.2 GPM Aerator	Yes	6/144
<b>A01071</b>	Non-Slotted 1.5 GPM Aerator	Yes	6/144
<b>A01074</b>	Non-Slotted 1.8 GPM Aerator	No	6/144

### CHROME PLATED 15/16" - 27T LARGE MALE THREAD NON-SLOTTED AERATOR

- Chrome plated brass body
- Pressure compensating for constant flow from 20 to 80 PSI
- Anti-clogging dome screen filters sediment and particles
- Meets low lead requirements
- Carded



PART NO.	DESCRIPTION	CEC COMPLIANT	CTN/MSTR
<b>A01077</b>	Chrome Plated 15/16" - 27T Large Male Thread 1.0 GPM Aerator	Yes	6/72
<b>A01073</b>	Chrome Plated 13/16" - 27T Large Male Thread 1.5 GPM Aerator	Yes	6/144

### ULTIMATE AERATOR REPAIR KIT

- Aerators and aerator inserts to fit large and small, male and female
- Includes an assortment of Cache style recessed inserts
- Color coded inserts for accurate flow rate determination
- 4 Cache keys for Standard, Junior, Tiny Junior and Tom Thumb™ sizes
- Includes Moen® and Delta® cache adapters
- Meets low lead requirements
- Recloseable compartmentalized box with descriptive lid insert



PART NO.	DESCRIPTION	CTN/MSTR
<b>A01079</b>	Ultimate Aerator Repair Kit	1/12

**AERATOR TO GARDEN HOSE ADAPTER**

- Dual thread to adapt faucet aerator thread to garden hose thread
- 15/16" x 27T large male thread
- 55/64" x 27T large female thread
- Male garden hose threads
- Lead free solid brass
- Meets low lead requirements
- Carded



PART NO.	DESCRIPTION	CTN/MSTR
<b>A01042</b>	Aerator to Garden Hose Adapter, Dual Thread	6/144

**SPRAY HEADS & HOSES**

**REPLACEMENT HOSE FOR PULL-OUT KITCHEN FAUCETS**

- Polished Chrome finish
- Replacement hose for pullout kitchen faucet
- Includes 60" hose
- Metal construction for long life and durability
- 1.8 GPM to meet CEC requirements
- Backflow preventor to prevent siphoning of dirty water into clean water systems
- Complete with adapters, washers and O-rings to fit most pull-out style kitchen faucets
- Meets low lead requirements
- Carded



PART NO.	DESCRIPTION	CTN/MSTR
<b>K53090</b>	Polished Chrome Replacement Hose	1/6

**BLACK FIT-ALL KITCHEN SPRAY HEAD AND HOSE**

- Black with Polished Chrome ring
- Fits all standard kitchen side spray assemblies
- Includes a 48" nylon reinforced hose
- Tapered locknut to fit most hose guides
- 1/4" female thread to fit 1/4" male spray outlets
- Includes brass adapter to fit old style 1/8" spray outlets
- Meets low lead requirements
- Carded



PART NO.	DESCRIPTION	CTN/MSTR
<b>K52023</b>	Black Fit-All Kitchen Spray Head and Hose	6/24

**BLACK FIT-ALL KITCHEN SPRAY HEAD**

- Black with Polished Chrome ring
- Fits all standard kitchen side spray assemblies
- Plastic construction
- Complete with clip to hold assembly onto hose
- Tapered locknut holds onto hose and fits most hose guides
- Meets low lead requirements
- Carded



PART NO.	DESCRIPTION	CTN/MSTR
<b>K52001</b>	Black Fit-All Kitchen Spray Head	1/12

**FIT-ALL KITCHEN SPRAY HEAD**

- Sleek modern design
- Fits all standard kitchen side spray assemblies
- Plastic construction
- Complete with clip to hold assembly onto hose
- Meets low lead requirements
- Carded



PART NO.	DESCRIPTION	CTN/MSTR
<b>K53089</b>	Chrome Plated Fit-All Kitchen Spray Head	1/12
<b>K53092</b>	Stainless Steel Fit-All Kitchen Spray Head	1/12

**FACEPLATES & TRIM KITS**

**SINGLE HANDLE STAINLESS STEEL REMODEL TRIM PLATE**

- Chrome Plated finish
- Move from a two or three handle faucet to a single handle faucet without replacing the entire wall or tile
- Plate will cover hot and cold holes leaving the center open for new single handle faucet
- Included mounting hardware uses old hot and cold holes – no additional holes necessary
- New faceplate will cover center hole of remodel plate
- Metal for long lasting durability
- Carded



PART NO.	DESCRIPTION	CTN/MSTR
<b>T73819</b>	Single Handle Stainless Steel Trim Plate	6/72

**SINGLE HANDLE FACEPLATE FITS DELTA®**

- Fits Delta® single handle ball style tub and shower faucets without push button diverter
- Replaces #RP5883
- Chrome plated stamped metal
- Complete with two chrome plated screws
- Includes rubber gaskets on OD and ID
- Bottom weep hole to allow excess moisture escape
- Carded



PART NO.	DESCRIPTION	CTN/MSTR
<b>C25452</b>	Chrome Plated Single Handle Faceplate fits Delta®	4/24

**FACEPLATE SCREWS FITS DELTA®**

- Fits most Delta® single handle faceplates and escutcheons
- Replaces #RP196
- Chrome plated stainless steel
- Stainless steel for corrosion resistance and rust-proof performance
- Pair
- Carded



PART NO.	DESCRIPTION	CTN/MSTR
<b>C25462</b>	Chrome Plated Faceplate Screws fits Delta®, Pair	6/144

The manufacturers' names are used only to describe whose products the items will fit. The items in this catalog are not manufactured by those companies.

## SHOWER FLANGE SCREWS FITS MOEN® CHATEAU AND LEGEND

- Fits Moen® Magnum® Chateau and Legend tub and shower faucets
- Replaces #15528
- For single handle faucets
- Chrome plated stainless steel
- Beveled tip helps find female threaded portion of faucet for easy installation
- 2" overall length
- Carded



PART NO.	DESCRIPTION	CTN/MSTR
<b>C25502</b>	Shower Flange Screws fits Moen® Chateau and Legend Tub/Shower Faceplates	6/144

## TRIM KIT FITS MOEN® CHATEAU SINGLE LEVER TUB/SHOWER FAUCETS

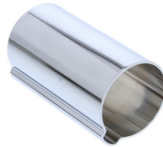
- Fits Moen® Chateau and Magnum tub and shower faucets
- Replaces #16090, #10089 and #96797
- Chrome plated faceplate and escutcheon sleeve tube
- Includes faceplate, faceplate screws, escutcheon sleeve and teardrop shaped acrylic crystal handle
- 7" diameter faceplate
- Works with #1200 brass cartridges or #1225 plastic cartridges
- Escutcheon includes rubber gaskets on OD and ID for water-tight installation
- Carded



PART NO.	DESCRIPTION	CTN/MSTR
<b>T73400</b>	Chrome Plated Trim Kit fits Moen® Chateau	6/24

## STOP TUBE FITS MOEN® CHATEAU TUB/SHOWER FAUCETS

- Fits Moen® Magnum® Chateau and Legend tub and shower faucets
- Replaces #10089
- For single handle faucets
- Chrome plated stainless steel with plastic inserts
- Slides into center of #16090 faceplate to cover stem and housing
- Ridge on top of sleeve prevents handle from spinning a full 360°
- Carded



PART NO.	DESCRIPTION	CTN/MSTR
<b>C25499</b>	Chrome Plated Stop Tube fits Moen® Chateau	6/72

## STOP TUBE FITS MOEN® POSI-TEMP® TUB/SHOWER FAUCETS

- Fits Moen® Posi-Temp® tub and shower faucets
- For single handle faucets
- Includes temperature limit stop to limit max water temperature
- 2-1/4" overall length, 2-1/16" sleeve length
- Carded



PART NO.	DESCRIPTION	CTN/MSTR
<b>C25494</b>	Chrome Plated Stop Tube fits Moen® Posi-Temp®, Replaces #96987	4/48
<b>C25495</b>	Brushed Nickel Stop Tube fits Moen® Posi-Temp®, Replaces #96987BN	4/48

## MOUNTING HARDWARE

### 1/2" PLASTIC FAUCET LOCKNUT WITH STEEL ROSETTE AND RUBBER WASHER

- For installation of two-post style faucets
- 1/2" thread locknut
- With wings for easy hand grip or positive connection with wrench
- Rubber washer for strong grip against the underside of the counter
- Steel rosette to prevent the rubber washer from warping when tightened
- Carded



PART NO.	DESCRIPTION	CTN/MSTR
<b>B10120</b>	1/2" Plastic Faucet Locknut	6/144

### BRASS BASIN NUT WITH CONE WASHER AND FRICTION RING

- Chrome Plated finish
- To attach riser or water line to kitchen or bathroom faucet
- 1/2" center hole for 1/2" OD risers
- Lead free solid brass nut for long life and corrosion resistance
- Rubber cone washer for positive seal and leak proof installation
- Brass friction ring to prevent washer from warping when tightening nut
- Carded



PART NO.	DESCRIPTION	CTN/MSTR
<b>B10106</b>	1/2" IPS x 1/2" Hole	6/144
<b>B10107</b>	1/2" IPS x 3/8" Hole	6/144

## EASY CONNECT TEES

### BRASS COMPRESSION EASY CONNECT TEE

- Creates a dual outlet valve without replacing the existing straight or angle supply stop
- Ideal for applications such as ice maker, dishwasher and water filtration system
- cUPC & IAPMO Listed
- Takes one 3/8" outlet and converts it to two 3/8" Comp outlets
- Meets or exceeds NSF/ANSI 61, NSF/ANSI 372, ASME A112.18.1-2018/CSA B125.1-18, and Section 1417(d) of the Safe Drinking Water Act
- Lead free
- Hot or cold water application acceptable
- Carded



PART NO.	DESCRIPTION	CTN/MSTR
<b>C74250LF</b>	3/8" Female Compression Swivel x 3/8" Male Compression x 3/8" Male Compression	6/144
<b>C74251LF</b>	3/8" Female Compression Swivel x 3/8" Male Compression x 1/4" Male Compression	6/144

## STOPPERS

### WHITE BASIN AND TUB STOPPER

- White rubber
- Tapered to fit multiple sizes of sink, lavatory or tub drains
- Fits 1-1/8" through 1-1/4" drain openings
- Chrome plated metal ring
- Duo-Fit, stopper fits two sizes of drain
- Carded



PART NO.	DESCRIPTION	CTN/MSTR
<b>P35120</b>	White Basin and Tub Stopper for 1-1/8" to 1-1/4" Drains	6/144
<b>P35137</b>	White Basin and Tub Stopper for 1-3/8" to 1-1/2" Drains	6/144
<b>P35158</b>	White Basin and Tub Stopper for 1-5/8" to 1-3/4" Drains	6/144

### WHITE TUB AND LAUNDRY TUB STOPPER

- White rubber
- Fits most bathtub or laundry tub drains
- Fits 1-1/2" through 2" drain openings
- Chrome plated metal ring
- Oversized top to fit most drain openings
- Carded



PART NO.	DESCRIPTION	CTN/MSTR
<b>P35161</b>	White Tub and Laundry Tub Stopper	6/48

### FLAT SUCTION SINK STOPPER

- White rubber
- For kitchen sinks or bathtubs
- Rubber cover fits over drain opening
- Natural suction of drain holds the stopper in place
- 5" OD
- With nub on top to lift stopper off of the drain
- Carded



PART NO.	DESCRIPTION	CTN/MSTR
<b>P35162</b>	Flat Suction Sink Stopper	6/48

### POP-UP BASIN STOPPER FITS DELTA®

- Fits Delta® lavatory drains
- Replaces #RP5648
- Chrome plated stainless steel top
- 8-1/32" overall length
- 2-1/8" diameter top
- Rubber seal for positive leak-free performance
- Two bottom holes for multiple lift rod depths
- Carded



PART NO.	DESCRIPTION	CTN/MSTR
<b>C25465</b>	Chrome Plated Pop-Up Basin Stopper fits Delta®	6/72

### POP-UP BASIN STOPPER FITS MOEN® KINGSLEY

- Fits Moen® Kingsley™ lavatory faucets
- Replaces #10709
- Chrome plated metal top
- 3-15/16" overall length
- 1-5/16" diameter top
- Beveled for positive leak-free performance
- Carded



PART NO.	DESCRIPTION	CTN/MSTR
<b>C25504</b>	Chrome Plated Pop-Up Basin Stopper fits Moen® Kingsley	6/72

### FIT-ALL POP-UP PLUNGER

- Fits most brands of pop-up lavatory drains
- Extra long bottom with two holes will line up with most linkage assemblies
- Two flat areas on bottom will line up with gravity style linkages that do not use the holes
- 1-3/8" OD top
- Rubber gasket for positive seal
- Carded



PART CODE	DESCRIPTION	CTN/MSTR
<b>P35950</b>	Chrome Plated Fit-All Pop-Up Plunger	6/72
<b>P36010</b>	Brushed Nickel Fit-All Pop-Up Plunger	6/72

## STRAINERS

### FIT-ALL BASKET STRAINER

- Fits most brands
- Rolled edges, no sharp edges to cut or scrape the user
- Stainless steel
- Rubber bottom seal
- Adjustable center post
- Carded



PART NO.	DESCRIPTION	CTN/MSTR
<b>B03010</b>	Fit-All Stainless Steel Basket Strainer	6/48

### REPLACEMENT BASKET FOR JUNIOR DUO BASKET STRAINER

- Replacement basket for junior duo basket strainer (B02050)
- Fits 2" drains
- Stainless steel
- Rubber bottom seal
- Center post
- Carded



PART NO.	DESCRIPTION	CTN/MSTR
<b>B02049</b>	Replacement Basket for Junior Duo Basket Strainer	6/72

### 3-PRONG DRAIN PROTECTOR

- Aluminum



PART NO.	DESCRIPTION	CTN/MSTR
<b>D18062</b>	1-5/8" 3-Prong Drain Protector	6/144
<b>D18063</b>	1-7/8" 3-Prong Drain Protector	6/144

### STAINLESS STEEL MESH STRAINER

- Prevent debris from going down the drain and causing clogs
- Mesh style screen strainer
- Cup shaped center to go down into drain and hold strainer in place
- Stainless steel mesh and ring for long life and corrosion resistance
- Carded



PART NO.	DESCRIPTION	CTN/MSTR
<b>P35190</b>	Strainer for Lavatory	24/576
<b>P35191</b>	Strainer for Tub	24/576
<b>P35192</b>	Strainer for Shower	24/576
<b>P35193</b>	Strainer for Kitchen	24/436
<b>P35194</b>	Strainer for Lavatory, Tub and Kitchen, Pack of 3	6/108

## FAUCET HOLE COVERS

### SNAP-IN FAUCET HOLE COVER

- Fill unused holes in sinks and counters
- 1-1/2" diameter
- Bottom legs provide positive grip
- Snap into the hole, no tools necessary
- Stainless steel finish to match most sinks
- Carded



PART NO.	DESCRIPTION	CTN/MSTR
<b>B10200L</b>	1-1/2" Snap-In Faucet Hole Cover	6/144

### FAUCET HOLE COVER WITH WASHER

- Fill unused holes in sinks and counters
- 1-3/4" diameter
- Large bottom washer for strong positive hold under the sink or counter
- Wing-nut for easy installation
- Stainless steel finish to match most sinks
- Carded



PART NO.	DESCRIPTION	CTN/MSTR
<b>C06030</b>	1-3/4" OD Faucet Hole Cover with Washer	6/72

## WASTE & OVERFLOW TRIM

### ONE-HOLE OVERFLOW PLATE WITH SCREW

- Chrome plated die cast construction
- Fits one-hole style bath waste & overflows
- One-hole pattern to match existing plate
- 3" OD
- Includes one chrome plated brass screw
- Carded



PART NO.	DESCRIPTION	CTN/MSTR
<b>T05012L</b>	Chrome Plated One-Hole Overflow Plate	6/72

### TWO-HOLE OVERFLOW PLATE WITH SCREWS

- Chrome plated die cast construction
- Fits two-hole style bath waste & overflows
- Two-hole pattern to match existing plate
- 3" OD
- Includes two chrome plated brass screws
- Carded



PART NO.	DESCRIPTION	CTN/MSTR
<b>T05013L</b>	Chrome Plated Two-Hole Overflow Plate	6/72

### TWO-HOLE TRIP LEVER OVERFLOW PLATE WITH SCREWS

- Chrome Plated die cast construction
- Fits bath waste & overflows with trip lever style drain
- 2-Hole pattern to match any trip Lever
- 3" OD
- Spring loaded trip mechanism for positive up or down movement
- Includes two chrome-plated brass screws
- Carded



PART NO.	DESCRIPTION	CTN/MSTR
<b>B51025</b>	Chrome Plated Two-Hole Trip Lever Overflow Plate	6/48

### ONE-HOLE TOE TOUCH TUB DRAIN TRIM KIT, INCLUDES TWO-HOLE CONVERSION BAR

- One-hole faceplate; includes conversion bar for two-hole faceplates
- Toe touch stopper allows opening and closing without bending
- Fits most bath waste and overflows
- Includes overflow plate with adapter bar, flush bushing, threaded shoe, and toe touch stopper assembly
- Bushing allows interchangeability between 1-3/8" fine thread and 1-1/2" course thread bath shoes
- Carded



PART NO.	DESCRIPTION	CTN/MSTR
<b>B51030</b>	Chrome Plated One-Hole Toe Touch Tub Drain Trim Kit	1/6
<b>B51031</b>	Brushed Nickel One-Hole Toe Touch Tub Drain Trim Kit	1/6
<b>B51038</b>	Matte Black One-Hole Toe Touch Tub Drain Trim Kit	6/48

### ONE-HOLE LIFT AND TURN TUB DRAIN TRIM KIT, INCLUDES TWO-HOLE CONVERSION BAR

- One-hole faceplate; includes conversion bar for two-hole faceplates
- Lift and Turn provides a positive lock
- Fits most bath waste and overflows
- Includes overflow plate with adapter bar, flush bushing, threaded shoe, and lift & turn stopper assembly
- Bushing allows interchangeability between 1-3/8" fine thread and 1-1/2" course thread bath shoes
- Carded



PART NO.	DESCRIPTION	CTN/MSTR
<b>B51032</b>	Chrome Plated One-Hole Lift and Turn Tub Drain Trim Kit	6/48
<b>B51033</b>	Brushed Nickel One-Hole Lift and Turn Tub Drain Trim Kit	6/48
<b>B51039</b>	Matte Black One-Hole Lift and Turn Tub Drain Trim Kit	6/48

### ONE-HOLE FRICTION LIFT TUB DRAIN TRIM KIT, INCLUDES TWO-HOLE CONVERSION BAR

- One-hole faceplate; includes conversion bar for two-hole faceplates
- Heavy duty friction lift
- Fits most bath waste and overflows
- Includes overflow plate with adapter bar, flush bushing, threaded shoe, and friction lift stopper assembly
- Bushing allows interchangeability between 1-3/8" fine thread and 1-1/2" course thread bath shoes
- Carded



PART NO.	DESCRIPTION	CTN/MSTR
<b>B51034</b>	Chrome Plated One-Hole Friction Lift Tub Drain Trim Kit	6/48
<b>B51035</b>	Brushed Nickel One-Hole Friction Lift Tub Drain Trim Kit	6/48
<b>B51040</b>	Matte Black One-Hole Friction Lift Tub Drain Trim Kit	6/48

### TWO-HOLE TRIP LEVER TUB DRAIN TRIM KIT

- Two-hole faceplate
- Trip lever style bath drain
- Fits most bath waste and overflows
- Includes trip lever overflow plate (with spring), flush bushing, threaded shoe, and stainless steel grid (with matching screw)
- Bushing allows interchangeability between 1-3/8" fine thread and 1-1/2" course thread bath shoes
- Plunger sold separately
- Carded



PART NO.	DESCRIPTION	CTN/MSTR
<b>B51036</b>	Chrome Plated Two-Hole Trip Lever Tub Drain Trim Kit	6/48
<b>B51037</b>	Brushed Nickel Two-Hole Trip Lever Tub Drain Trim Kit	6/48
<b>B51043</b>	Matte Black Two-Hole Trip Lever Tub Drain Trim Kit	6/48

## TRIP LEVER TUB DRAIN LINKAGE ASSEMBLY

- Solid brass construction
- Fits brass trip lever style waste & overflow drains
- Up to 15" adjustable clevis
- Fits most bath waste and overflows
- Includes cotter pin and all necessary hardware for installation
- Carded



PART NO.	DESCRIPTION	CTN/MSTR
<b>B51041</b>	Brass Trip Lever Tub Drain Linkage Assembly with Plunger	6/48

## TRIP LEVER TUB DRAIN LINKAGE ASSEMBLY WITH PLASTIC PLUNGER

- Plastic plunger with solid brass linkage
- Fits plastic trip lever style waste & overflow drains
- Up to 15" adjustable clevis
- O-rings seal on plunger for water-tight seal
- Fits most bath waste and overflows
- Includes cotter pin and all necessary hardware for installation
- Carded



PART NO.	DESCRIPTION	CTN/MSTR
<b>B51042</b>	Brass Trip Lever Tub Drain Linkage Assembly with Plastic Plunger	6/48

## BEVELED BATH WASTE FACEPLATE GASKET

- Fits flush between outside of tub and overflow drain head
- Tapered shape to match slope of outside of tub
- Made of sponge rubber to achieve watertight seal on rough surface
- 3-3/16" OD x 2-1/8" ID
- Tapers from 9/16" thick to 3/16" thick
- Carded



PART NO.	DESCRIPTION	CTN/MSTR
<b>T05028</b>	Beveled Bath Waste Faceplate Gasket	6/72

## TUB SPOUTS

### FIT-ALL DIVERTER SPOUT

- Chrome plated finish
- Fit-all style replaces most diverter spouts
- 1/2" copper slide-on, 1/2" IPS thread-on or 3/4" IPS thread-on
- Front diverter - pull up to send water to shower head, push down to send water to tub
- Heavy die-cast construction
- Carded



PART NO.	DESCRIPTION	CTN/MSTR
<b>D01701</b>	Chrome Plated Fit-All Diverter Spout	1/6

### DIVERTER SPOUT GATE REPAIR KIT

- Chrome plated finish
- Repair leaking diverter tub spouts
- Complete with lift rod, lift button, white plastic gate, gate washer and O-ring seal
- Fits most diverter spouts with pull-up diverter mechanism at the front of the spout
- Easy to install
- Carded



PART NO.	DESCRIPTION	CTN/MSTR
<b>D01702</b>	Diverter Spout Gate Repair Kit	6/72



## SHOWER ACCESSORIES

### SHOWER ARM WITH FLANGE

- Chrome Plated finish
- Plated stamped stainless steel flange with grip-tite legs to hold it in place against the shower arm
- 45° for proper shower head angle
- 1/2" threads
- Carded



PART NO.	DESCRIPTION	CTN/MSTR
<b>S01044L</b>	6" Chrome Plated Shower Arm	6/72
<b>S01045L</b>	8" Chrome Plated Shower Arm	6/72

### S-SHAPED SHOWER ARM

- Chrome Plated stainless steel arm
- Raises shower head 6"
- Plated stamped stainless steel flange with grip-tite legs to hold it in place against the shower arm
- 45° for proper shower head angle
- 1/2" threads
- Carded



PART NO.	DESCRIPTION	CTN/MSTR
<b>S01110</b>	Chrome Plated S-Shaped Shower Arm with 6" Rise and Flange	1/6

### SHOWER ARM FLANGE WITH SET SCREW

- Chrome plated finish
- Fits shower arms and other 1/2" IPS applications
- Heavy die cast construction
- 2-1/2" OD
- Includes set screw
- F05050 is carded; F05051 is bagged



PART NO.	DESCRIPTION	CTN/MSTR
<b>F05050</b>	2-1/2" OD Chrome Plated Shower Arm Flange, Carded	6/72
<b>F05051</b>	2-1/2" OD Chrome Plated Shower Arm Flange, Bagged	12/144

## SHOWER HEADS

### DIE CAST ADJUSTABLE SHOWER HEAD

- Chrome Plated finish
- Metal body, ball and nut for long life and durability
- 2" face
- Lever turns to adjust spray pattern
- 1.8 GPM to meet CEC requirements
- Carded



PART NO.	DESCRIPTION	CTN/MSTR
<b>S01017</b>	2" Chrome Plated Die Cast Adjustable Shower Head, 1.8 GPM	1/12

### BRASS ADJUSTABLE SHOWER HEAD

- Chrome Plated finish
- Brass body, ball and nut for long life and durability
- "Princess" style
- Lever turns to adjust spray pattern
- 1.8 GPM to meet CEC requirements
- Carded



PART NO.	DESCRIPTION	CTN/MSTR
<b>S01018</b>	1-3/4" Chrome Plated Brass Adjustable Shower Head, 1.8 GPM	1/12
<b>S01019</b>	2-1/4" Chrome Plated Brass Adjustable Shower Head, 1.8 GPM	1/12

### BRASS WATER VOLUME CONTROLLER FOR SHOWER HEADS

- Chrome Plated finish
- Water saver - regulates water flow at shower head
- Brass construction for long life and durability
- Large lever for easy grip with wet hands
- Ball style control mechanism
- Carded



PART NO.	DESCRIPTION	CTN/MSTR
<b>S01060</b>	Chrome Plated Brass Water Volume Controller	6/144

## GASKETS & PACKING

### RED RUBBER GASKET MATERIAL

- Cut your own customized gaskets
- 6" square sheet
- 1/18" thick
- Red
- Cut into washers, shims, gaskets, seals, vibration dampers or packings
- Bagged with header card



PART NO.	DESCRIPTION	CTN/MSTR
<b>G55001</b>	6"x 6" Red Rubber Gasket Material	6/72

## GARDEN HOSE PARTS & ACCESSORIES

### BRASS GARDEN HOSE WYE WITH SHUT-OFFS

- Brass construction
- Shutoff levers are plastic
- Includes washer
- Brass female swivel nut with rubber gripper sleeve
- For outdoor use only
- Not for potable water applications
- Carded



PART NO.	DESCRIPTION	CTN/MSTR
<b>G20053L</b>	Brass Garden Hose Wye With Shut-Offs	6/36

### GARDEN HOSE SHUT-OFF

- Inline shut-off for garden hoses and accessories
- Can be installed at the faucet or at the accessory
- Includes hose washer
- Solid brass construction for long lasting durability
- Ball style shut-off for positive on and off performance
- Carded



PART NO.	DESCRIPTION	CTN/MSTR
<b>G20090</b>	Brass Garden Hose Shut-Off	6/72

## HVAC PARTS

### RADIATOR COIN AIR VALVE AND KEY

- Used to remove air from hot water heating systems to assure maximum performance from radiators
- 1/8" male IPT thread
- Nickel plated brass for long life and corrosion resistance
- Key fits slotted or square broaches
- Key has hanger hole for string or chain
- Carded



PART NO.	DESCRIPTION	CTN/MSTR
<b>R20001L</b>	Radiator Coin Air Valve and Key	6/72

## PUMPS

### SELF PRIMING QUICK SHAKE SIPHON STYLE PUMP KIT

- Ideal to transfer water, gasoline, diesel fuel, kerosene, fertilizer, insecticides and lubricants
- 6' long transfer hose
- 3/4" copper anti-static siphon valve with glass ball and stainless steel shaker spring
- Not for use with liquids that have a thickness greater than 20 grade oil
- 2.5 GPM max flow rate
- Do not use to siphon gasoline from an automobile
- Complete usage instructions on the package
- Carded



PART NO.	DESCRIPTION	CTN/MSTR
<b>P13605</b>	Self Priming Quick Shake Siphon Style Pump Kit	6/24

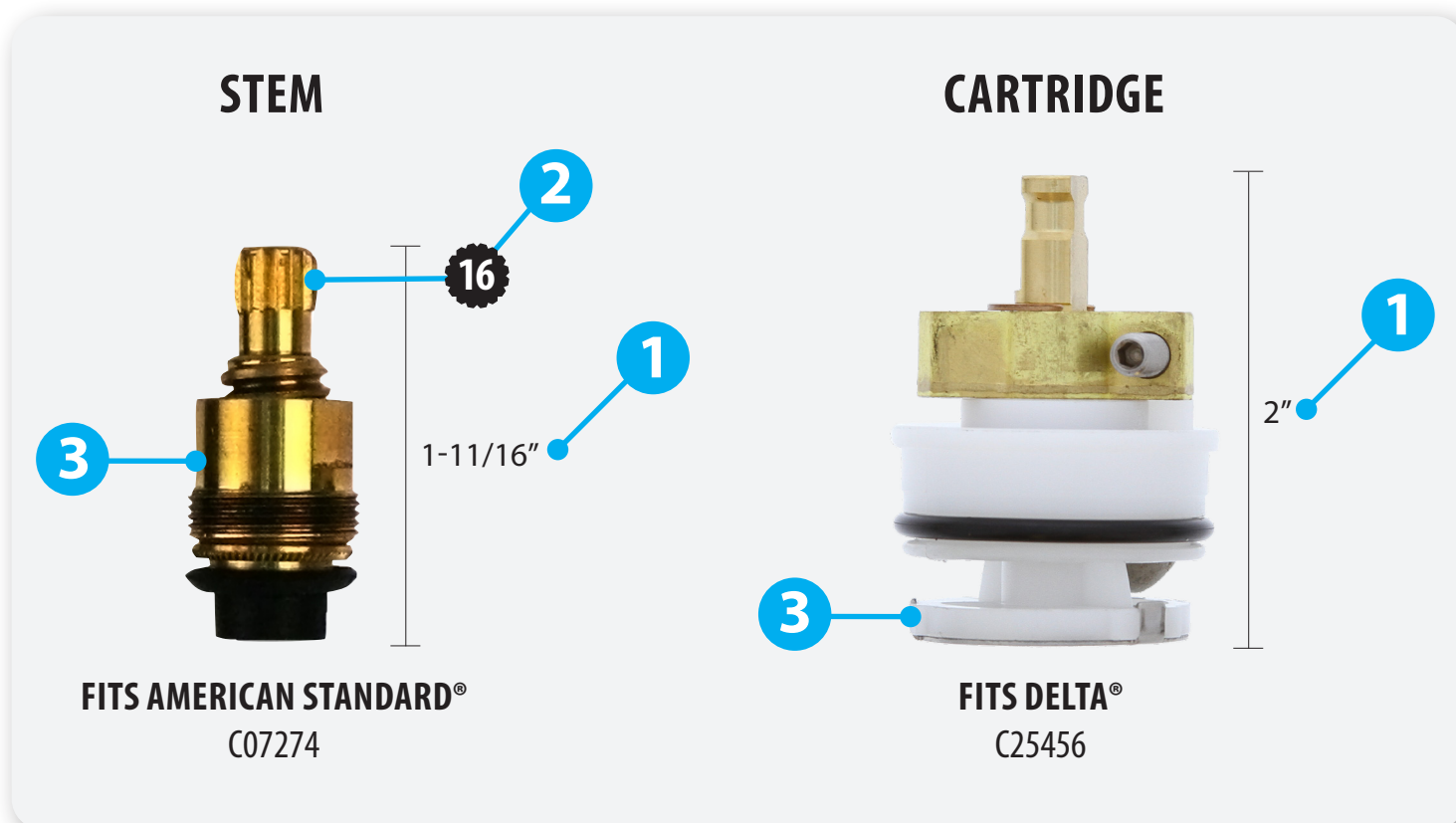
### QUICK MINI TRANSFER PUMP KIT

- Ideal to quickly transfer any fluid including oil and gasoline
- Also works as an air pump
- Can be used to inflate balls, rafts, pool floats or bike tires
- Comes with hand pump, two transfer hoses, dipstick tube, air hose, two air hose adapters and three hose/tube connectors
- Complete usage instructions on the package
- Carded



PART NO.	DESCRIPTION	CTN/MSTR
<b>P13610</b>	Quick Mini Transfer Pump Kit	6/24

# HOW TO FIND A REPLACEMENT STEM/CARTRIDGE



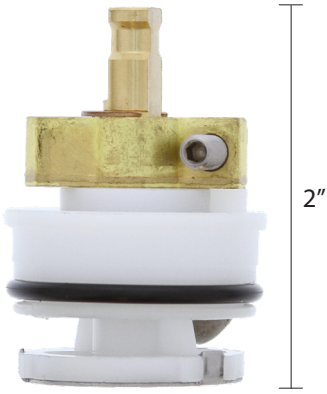
- 1** Measure the length, then turn to appropriate range section of this catalog.
- 2** Count the splines (raised at the tip of the stem/cartridge) or identify the shape to match accuracy and handle fit. If the top does not have ridged splines, note the shape (square, rectangular, half-moon, etc.).
- 3** Compare your part to the true-size images on the pages.

### Having trouble identifying the correct cartridge?

Our world class customer service team is here to help! Give us a call at 800-355-6637 or email us at [parts@jonesstephens.com](mailto:parts@jonesstephens.com) and we'll find the right part for you.

**Pages 36-42 represent the actual size of stems and cartridges. For additional product attributes, view pages 13-21 in catalog or at [www.jonesstephens.com](http://www.jonesstephens.com).**

The manufacturers' names are used only to describe whose products the items will fit. The items in this catalog are not manufactured by those companies.



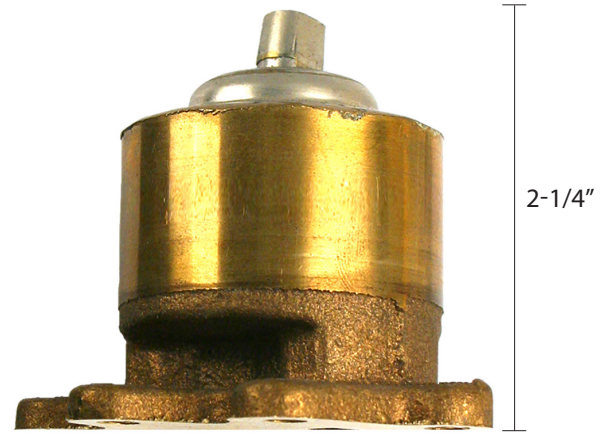
**FITS DELTA®**  
C25456



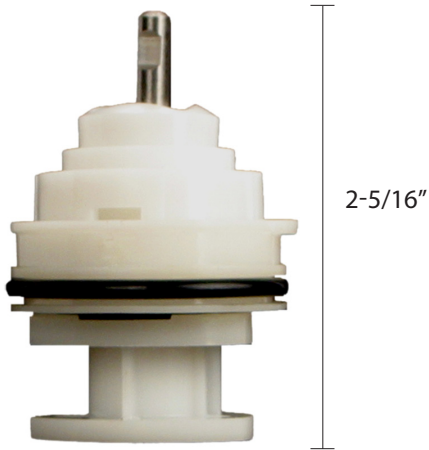
**FITS DELTA®/DELEX®**  
**AND PEERLESS®**  
C25433  
C25436



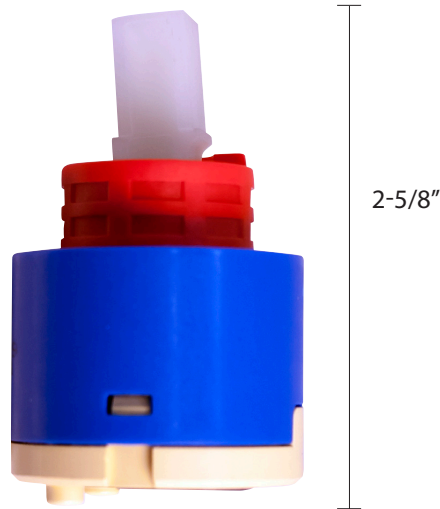
**FITS DELTA®/DELEX®**  
**AND PEERLESS®**  
C25434  
C25437



**FITS PFISTER®**  
C07755



**FITS VALLEY®**  
C1770CH



**FITS ZURN®, SYMMONS®, JONES STEPHENS®**  
**AND AQUAPLUMB®**  
C07651



**FITS DELTA®**  
C25450





**FITS DELTA®**  
C25449



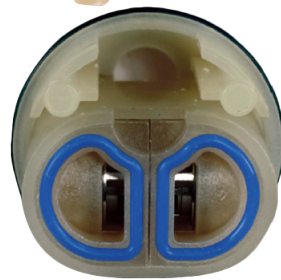
**FITS MOEN**  
C25476



**FITS GLACIER BAY® AND ZURN®**  
C07650



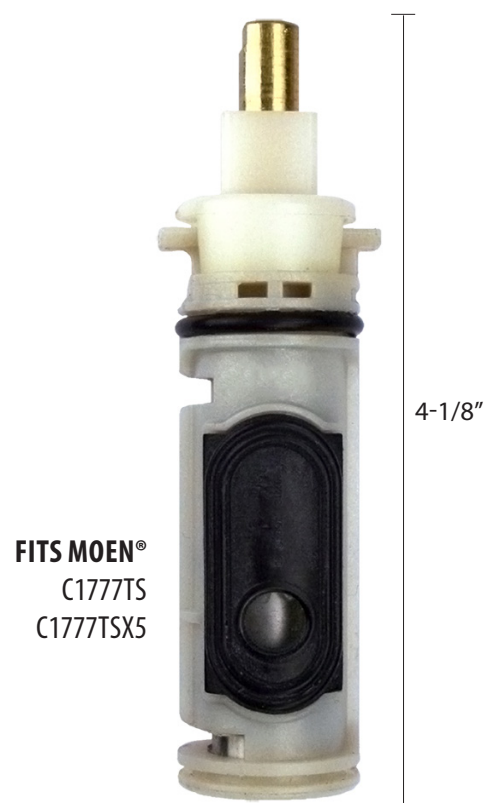
**FITS GLACIER BAY®**  
C07655



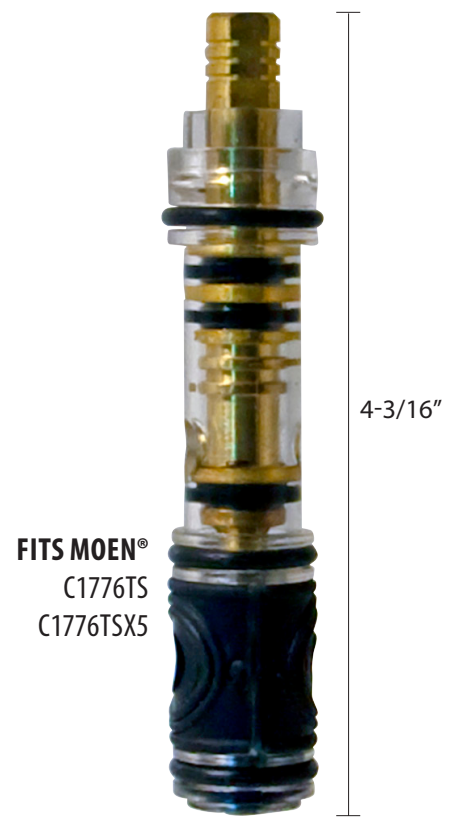
*The manufacturers' names are used only to describe whose products the items will fit. The items in this catalog are not manufactured by those companies.*



**FITS DELTA®**  
C25447  
C25463



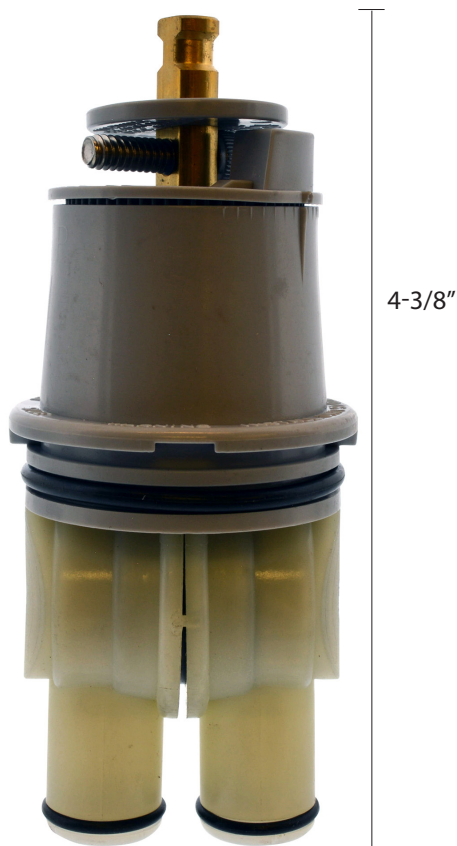
**FITS MOEN®**  
C1777TS  
C1777TSX5



**FITS MOEN®**  
C1776TS  
C1776TSX5



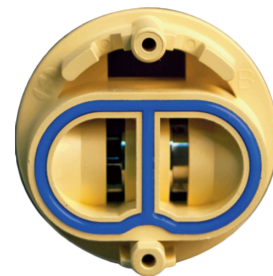
FITS MOEN®  
C1775TS



FITS DELTA®  
C25451  
C25464



FITS GLACIER BAY®  
C07656





16

1-11/16"

**FITS AMERICAN STANDARD®**  
C07274



D

1-13/16"

**FITS DELTA®/DELEX® AND PEERLESS®**  
C25435  
C25461  
C25466



S

1-7/8"

**FITS MOEN**  
C25479 (hot)  
C25478 (cold)



D

1-7/8"

**FITS VALLEY**  
C07229



D

1-15/16"

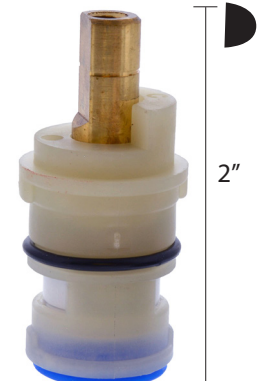
**FITS GLACIER BAY**  
C07626 (hot)  
C07676 (cold)



D

1-15/16"

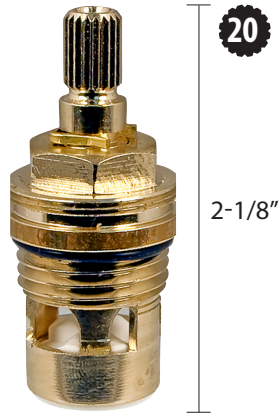
**FITS DELTA®/DELEX® AND PEERLESS®**  
C25448  
C25467



D

2"

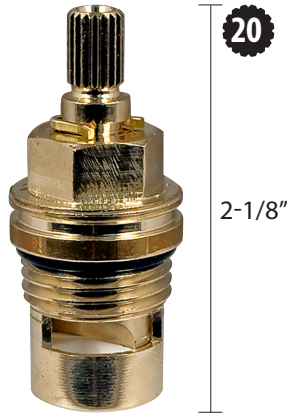
**FITS GLACIER BAY® AND AQUASOURCE®**  
C07627 (hot)  
C07677 (cold)



20

2-1/8"

**FITS ALTMANS® AND SEARS®**  
C07632 (hot)  
C07682 (cold)



20

2-1/8"

**FITS JADO®**  
C07637 (hot)  
C07687 (cold)



12

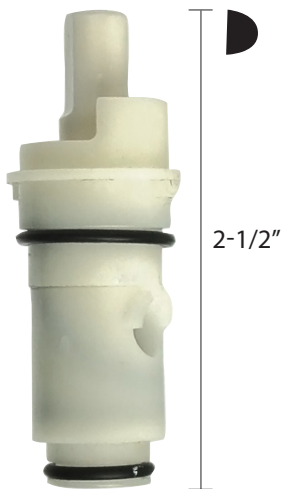
2-5/16"

**FITS CRANE®**  
C07411 (hot)  
C07412 (cold)





**FITS SPEAKMAN®**  
C07641 (hot)  
C07691 (cold)



**FITS VALLEY®**  
C07225



**FITS ALTMANS®**  
C07633 (hot)  
C07683 (cold)



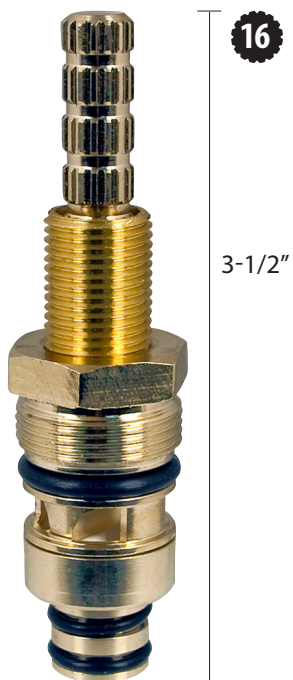
**FITS NEWPORT BRASS®**  
C07645 (hot)  
C07695 (cold)



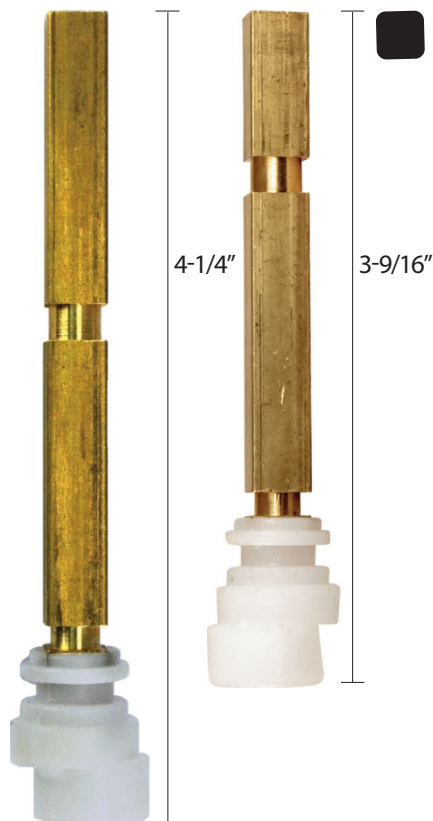
**FITS MOEN®**  
C1765CH



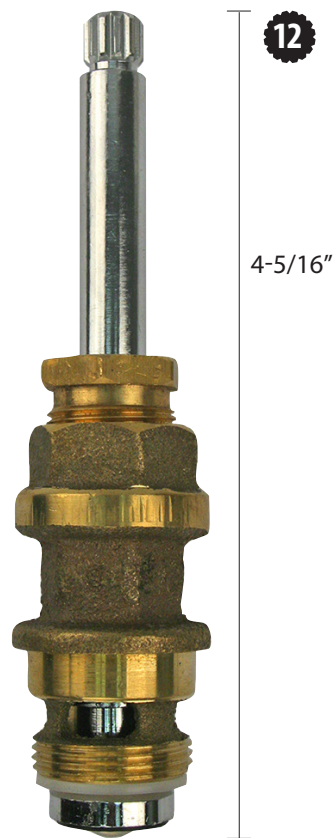
**FITS DELTA®/DELEX®  
AND PEERLESS®**  
C25453



**FITS HARDEN®**  
C07625 (hot)  
C07675 (cold)



**FITS STERLING®**  
C07323



**FITS PFISTER®**  
C07404

FITS  
PFISTER®  
C07410



12

4-5/16"

FITS  
PFISTER®  
C07409



12

4-5/16"

FITS  
AMERICAN  
STANDARD®  
C07324



16

4-9/16"

FITS  
HARCRAFT®  
C07414



12

4-9/16"

FITS  
HARDEN®  
C07624 (hot)  
C07674 (cold)



16

4-5/8"

FITS  
STERLING®  
C07310



16

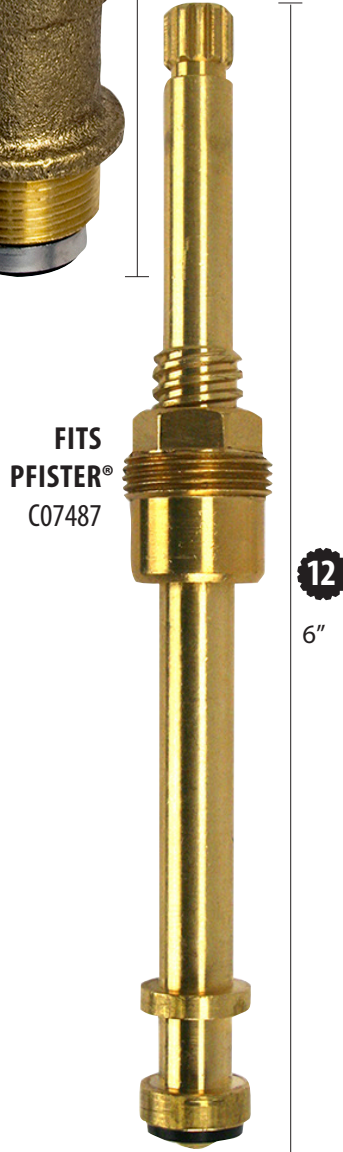
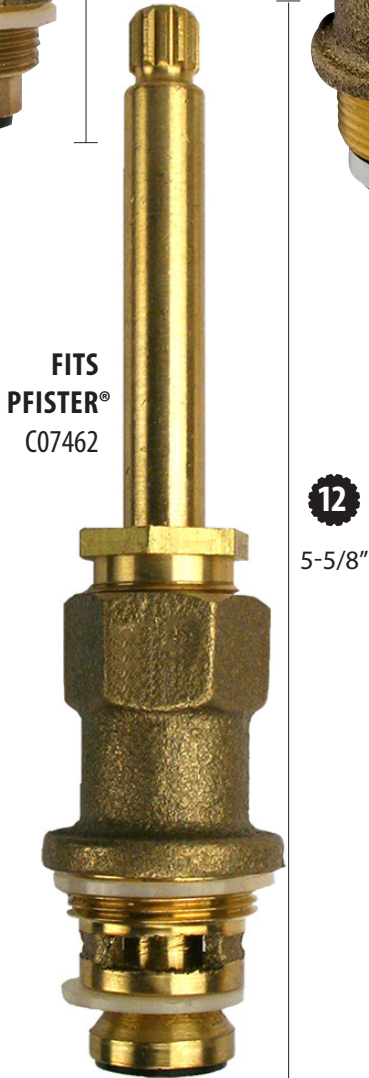
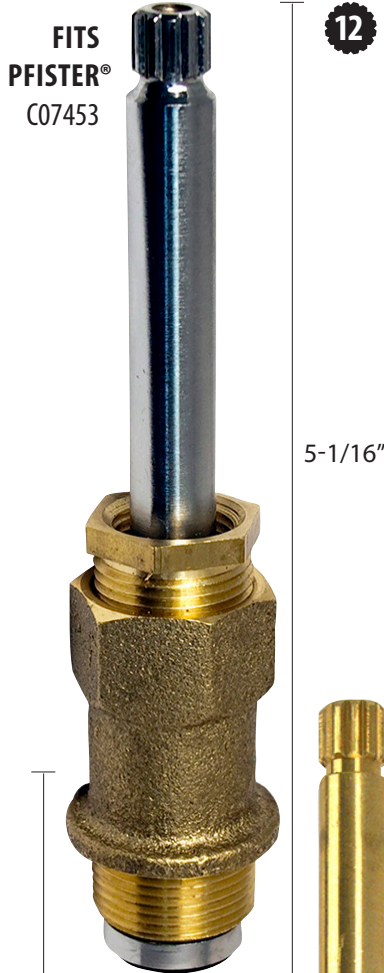
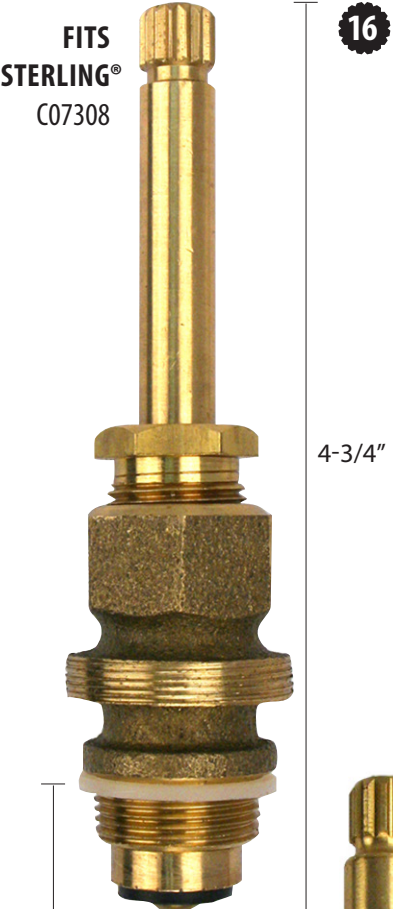
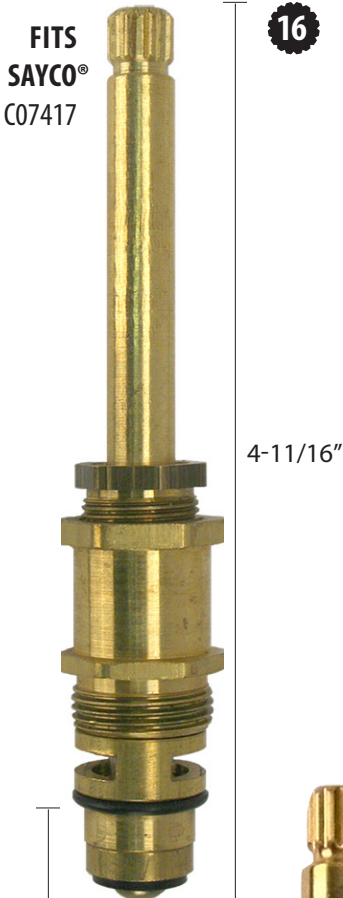
4-11/16"

FITS  
SAYCO®  
C07326



16

4-11/16"



The manufacturers' names are used only to describe whose products the items will fit. The items in this catalog are not manufactured by those companies.



# JONES STEPHENS **REPAIR PARTS**

Visit [www.jonesstephens.com](http://www.jonesstephens.com) for more details.

